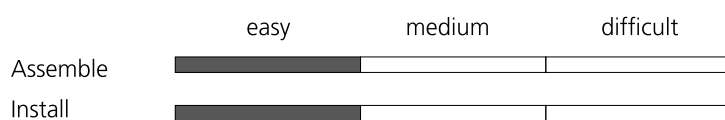


AIR-SYSTEM: ASSEMBLY & INSTALLATION

INSTRUCTIONS S150 AIR-B S34

Version 2 (up to date: November 2011)



Subject to technical changes.

raumplus

INDEX AND GENERAL INFORMATION

General information and tools_ page 02

Accessories_ page 03

Detail drawings_ page 05

Cutting dimensions_ page 06

Assembly instruction_ page 07

Installation instruction_ page 10

Installation instruction wall conn. profile _ page 14

GENERAL INFORMATION:

Preparation

- Please check the completeness of the delivered parts and their item numbers according to the delivery note and the assembly instruction.
- Please check the delivered parts for possible damage.
- If several parts are damaged or lost, please contact your responsible retailer.

Information:

- It is assumed that you have exactly identified all cutting dimensions according to the measurement instruction for raumplus-products.

- **max. door weight: 60kg.**
- **min. / max. door height = 700mm / 2500mm**
- **min. / max. door width = 500mm / 1200mm**

TOOLS:

- | | |
|--------------------------------|-------------------------|
| ■ Aluminium saw | ■ Rubber mallet |
| ■ Allen keys 1,5/2,5/3/5mm | ■ Pencil |
| ■ 2x Open-ended spanner (10mm) | ■ Water level |
| ■ Drilling machine | ■ (Wire cutting pliers) |
| ■ Drills Ø6,5/(8,5)/10mm | ■ Screwdriver |
| ■ Straight edge (optional) | |

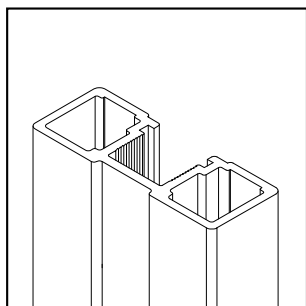
VERSION INFORMATION:

Version 2: Pages 06 cutting dimension updated / pages 16 detail drawing revised

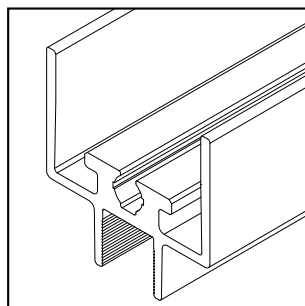


ACCESSORIES

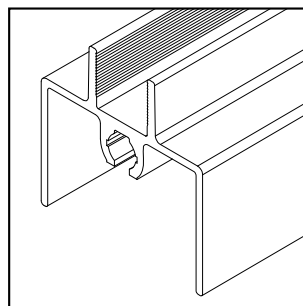
ACCESSORIES:



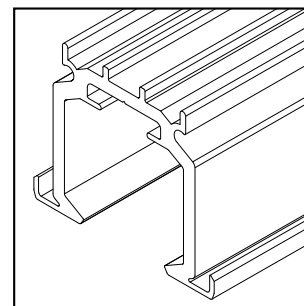
1_ 18.21.0xx



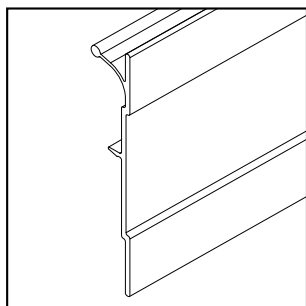
2_ 17.12.0xx



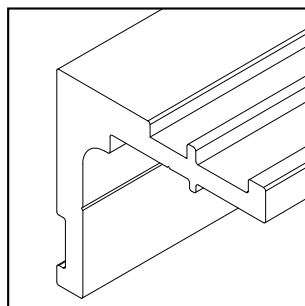
3_ 17.14.0xx



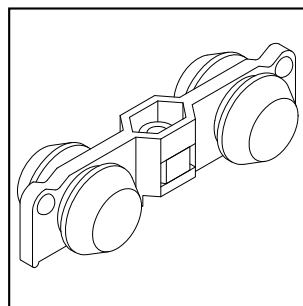
4_ 17.55.020



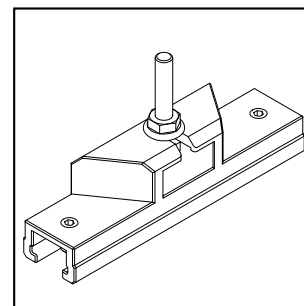
5_ 14.50.0xx



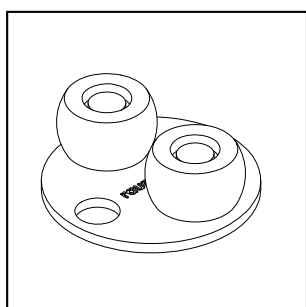
6_ 17.54.020



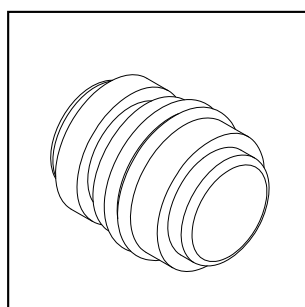
7_ 10.06.200



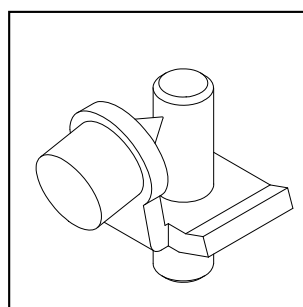
8_ 10.06.020



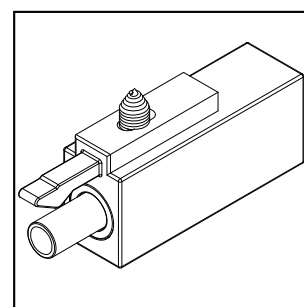
9_ 10.06.034



10_ 10.05.030



11_ 10.05.060

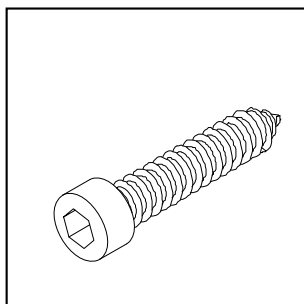


12_ 10.05.017

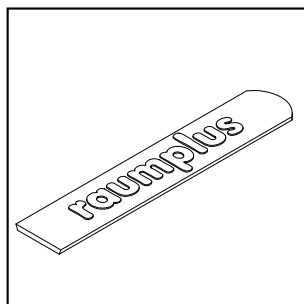
- 1_ Stile S150
- 2_ Top rail 34mm AIR system
- 3_ Bottom rail 34mm AIR system
- 4_ Top track insert for 34mm AIR
- 5_ Cover for insert profile AIR
- 6_ Wall conn. profile for AIR S34
- 7_ Top roller AIR
- 8_ Pick up element, adjustable AIR
- 9_ Ground plate with roller S34mm AIR-B
- 10_ Brake for top roller AIR
- 11_ Stopper for top track
- 12_ Stopper for top roller AIR

ACCESSORIES

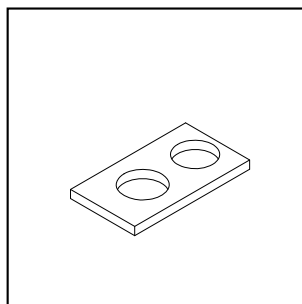
ACCESSORIES:



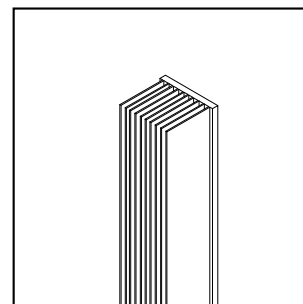
13_ 10.07.0 10



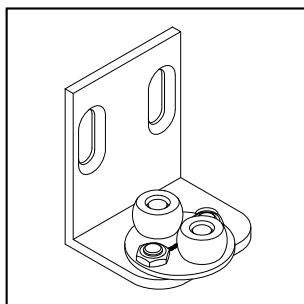
14_ 10.07.05x



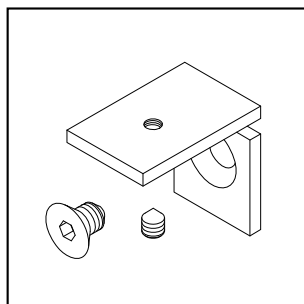
15_ 27.01.070



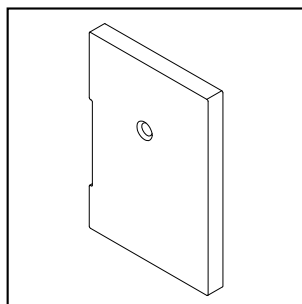
16_ 10.07.023



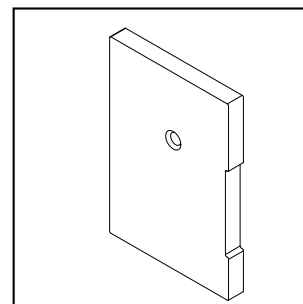
17_ 10.06.022



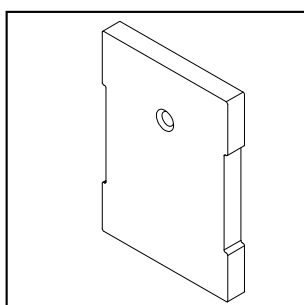
18_ 10.05.290



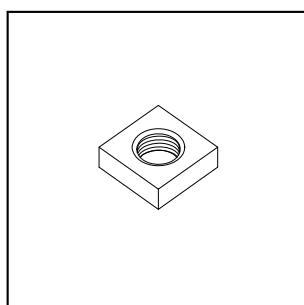
19_ 10.06.296



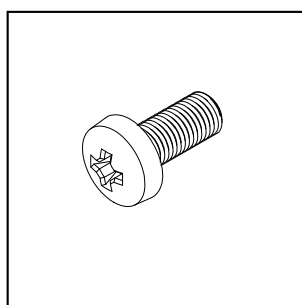
20_ 10.06.297



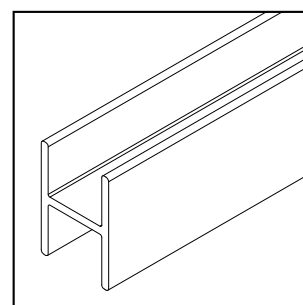
21_ 10.06.291



22_ 10.07.089



23_ 10.07.088

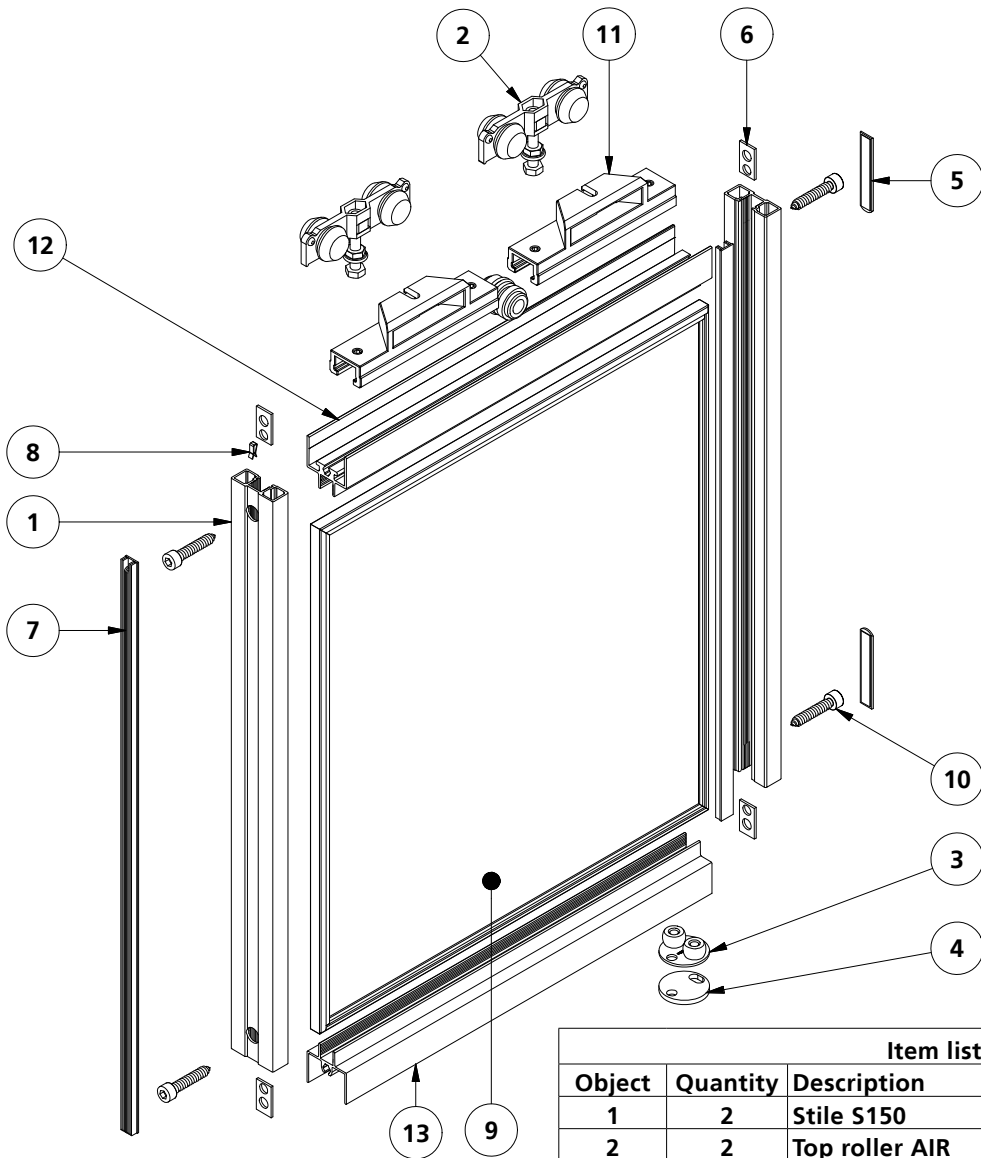


24_ 26.22.010

- 13_ Frame screws
- 14_ Plugs for punching holes
- 15_ Connection plate
- 16_ Dust excl. brush grey
- 17_ Wall outlet with guiding
- 18_ Connector for end cap
- 19_ End cap f. wall conn. profile, left
- 20_ End cap f. wall conn. profile, right
- 21_ End cap f. insert profile
- 22_ Nut for wall conn. profile
- 23_ Screw for wall conn. profile
- 24_ Dividing rail S26 (optional)
- 25_ Middle insert profile f. AIR (14.53.0xx) without fig.

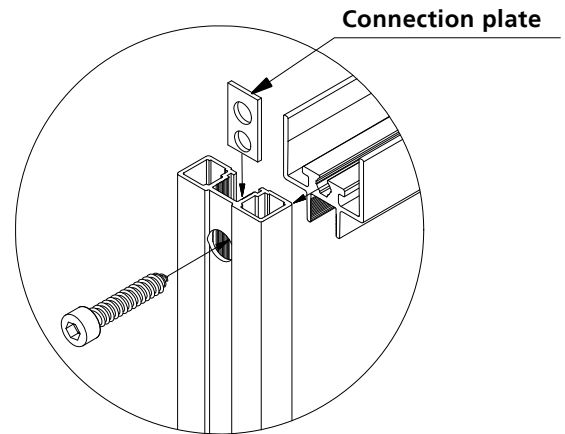
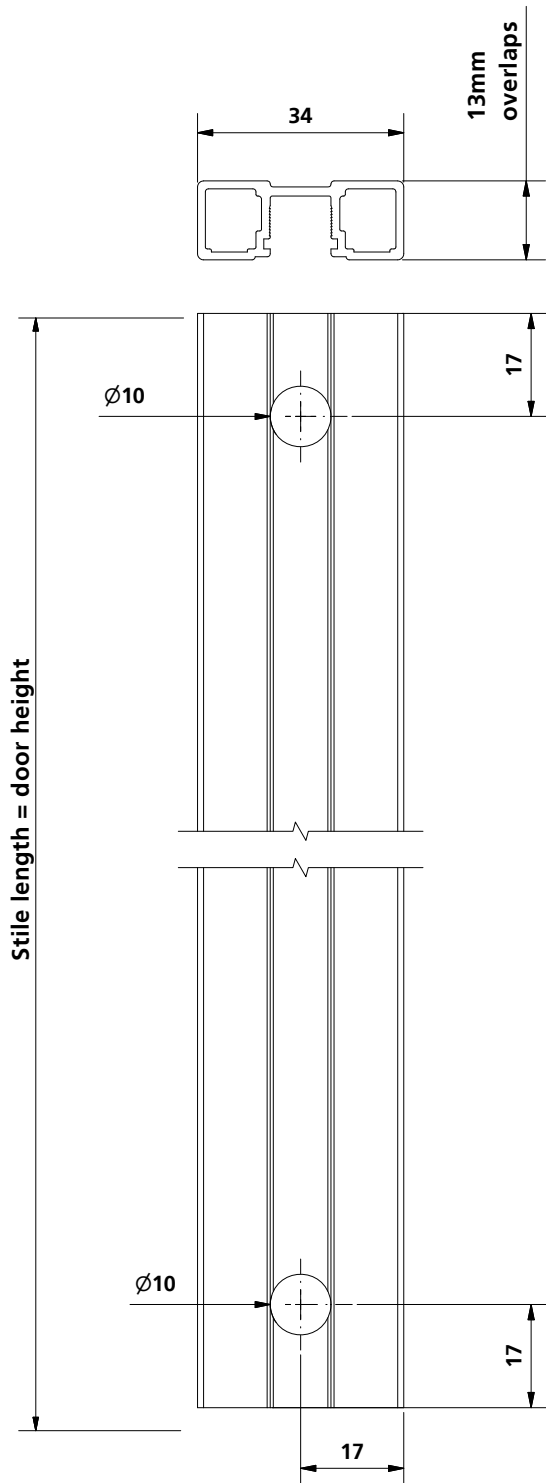
DETAILED DRAWING

EXPLODED DRAWING



Item list			
Object	Quantity	Description	Item number
1	2	Stile S150	18.12.0xx
2	2	Top roller AIR	10.06.200
3	1	ground plate with roller S34	10.06.034
4	1	Distance plate S34mm	10.06.035
5	2	Plugs for punching holes	10.07.051
6	1	Connection plate	27.01.070
7	1	Dust excl. brush grey	10.07.023
8	2	Bracket for dust excluding	10.01.039
9	1	Panel	
10	4	Frame screws	10.07.010
11	1	pick up element, adjustable	10.06.020
12	1	top rail 34mm AIR system	17.12.0xx
13	1	Bottom rail S34 AIR	17.14.0xx

CUTTING DIMENSIONS



Overlaps (mm): 13

Door height= opening height - 60mm

Top /bottom rail length = door width - 26mm

Dividing rail S26 27mm = door width - 25mm (optional)

Panel size; cutting from door height (mm) wood: 47

Panel size; cutting from door height (mm) glass: 49

Panel size; cutting from door width (mm) wood/glass: 9

Measure of panel; deduction for dividing rail (mm): 4

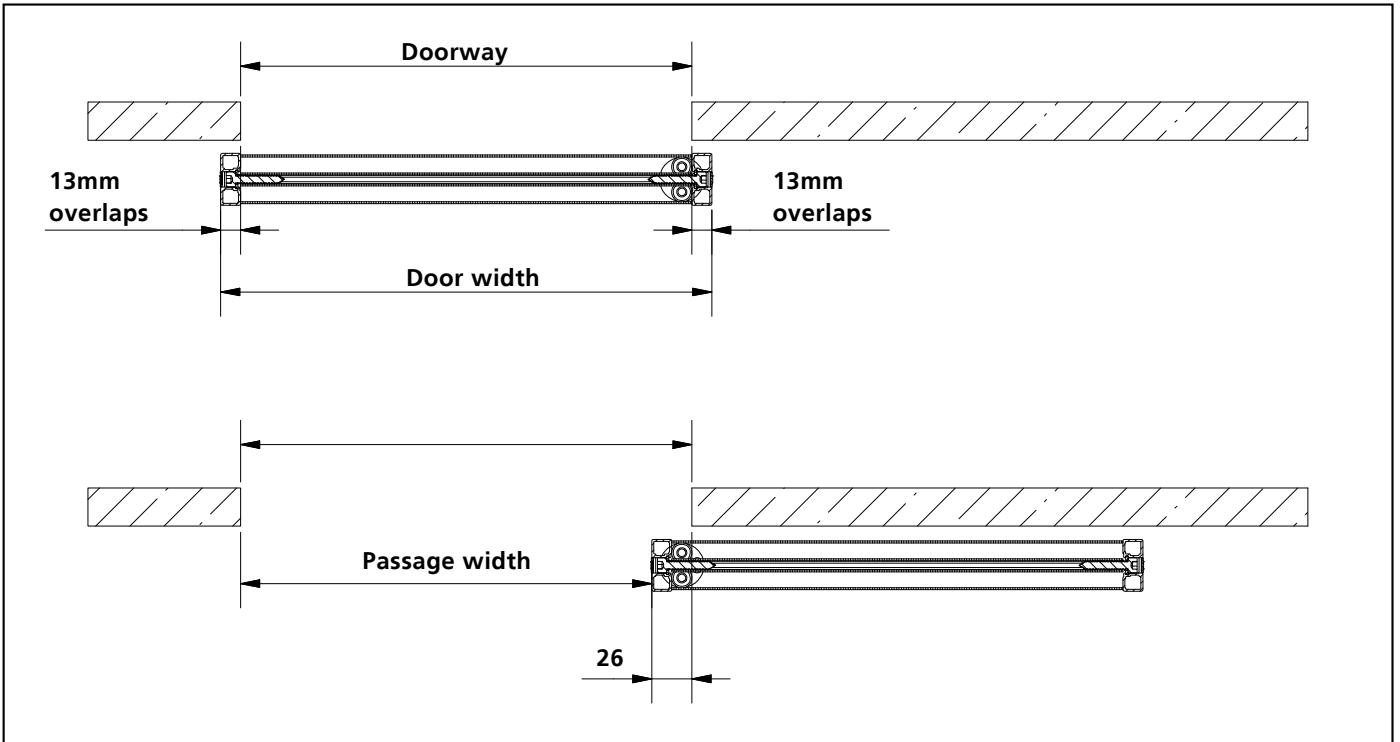
min. / max. door height = 700mm / 2700mm

min. / max. door width = 500mm / 1200mm

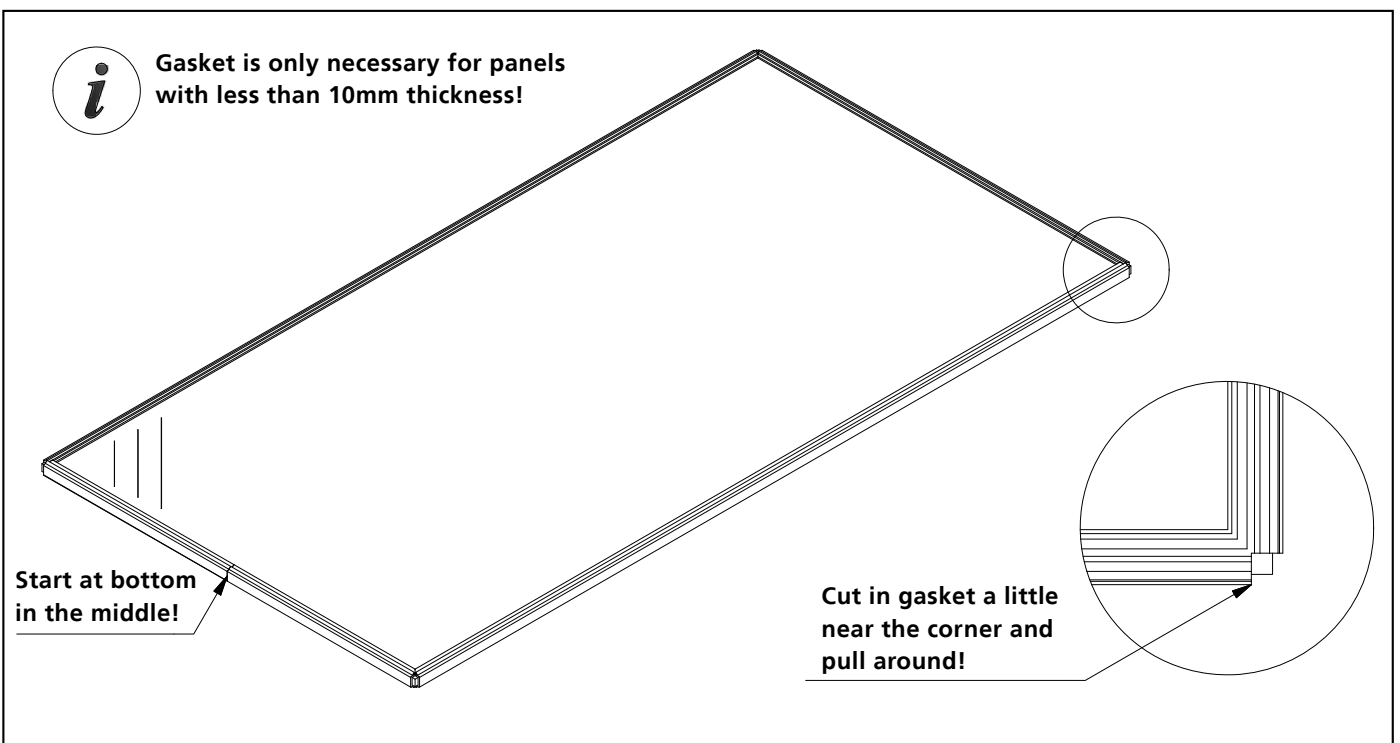
max. element weight = 60kg

06_07

ASSEMBLY INSTRUCTION



1_ Horizontal section S150 AIR, mounting in front of the wall

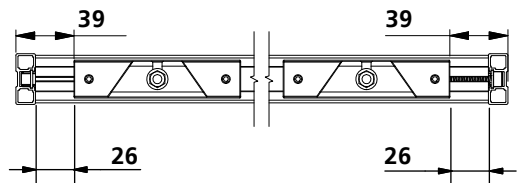
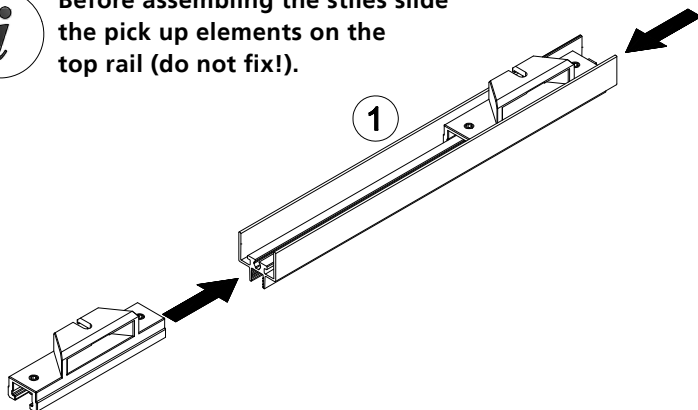


2_ Place panel on a table, affix gasket (only at panels with less than 10mm thickness)

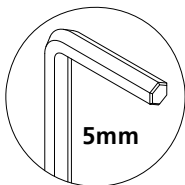
ASSEMBLY INSTRUCTION



Before assembling the stiles slide the pick up elements on the top rail (do not fix!).

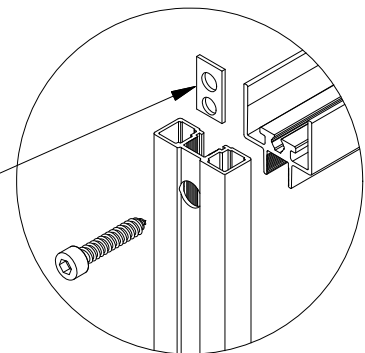


6 After assembling of the stiles, mount the pick up element admission according to the distance to the end of the rails: 26mm



5mm

Pay attention to the position of the connecting plate.



Apply top rail tight on panel!

max. 3Nm

Dividing rail S26 (optional)

Stile 5

Bottom rail 3

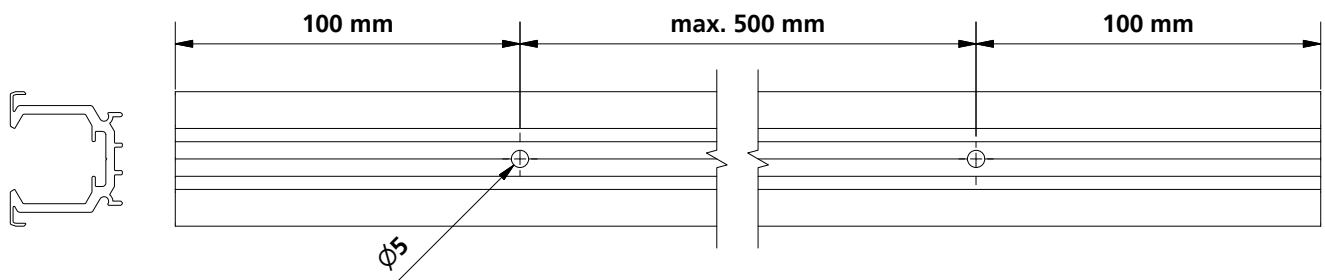
4 Stile

08_09

3_ Apply stiles with rubber mallet, screw together (max. 3Nm) then check with straight edge

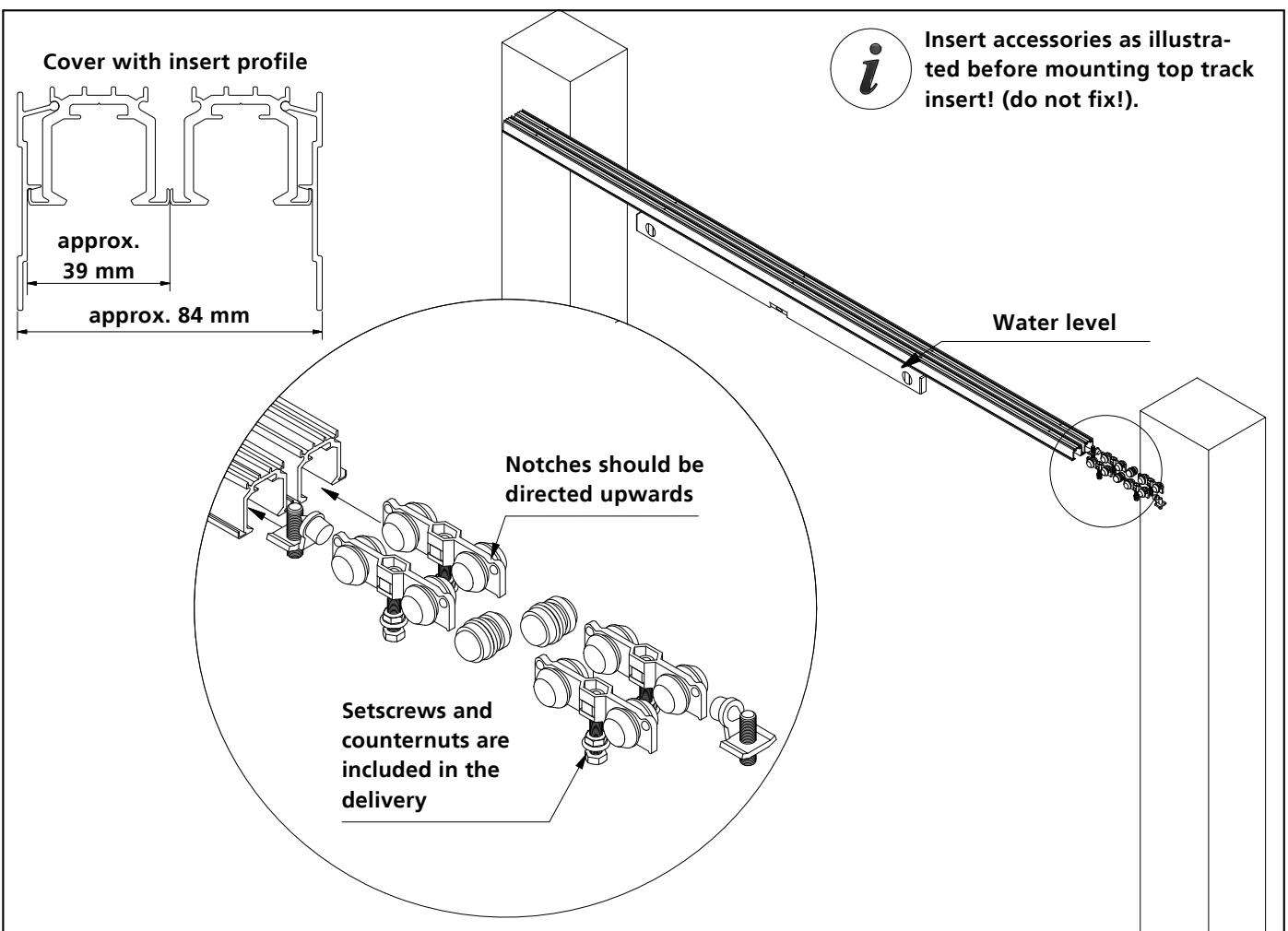
CROSS SECTION VERTICAL

TOP TRACK



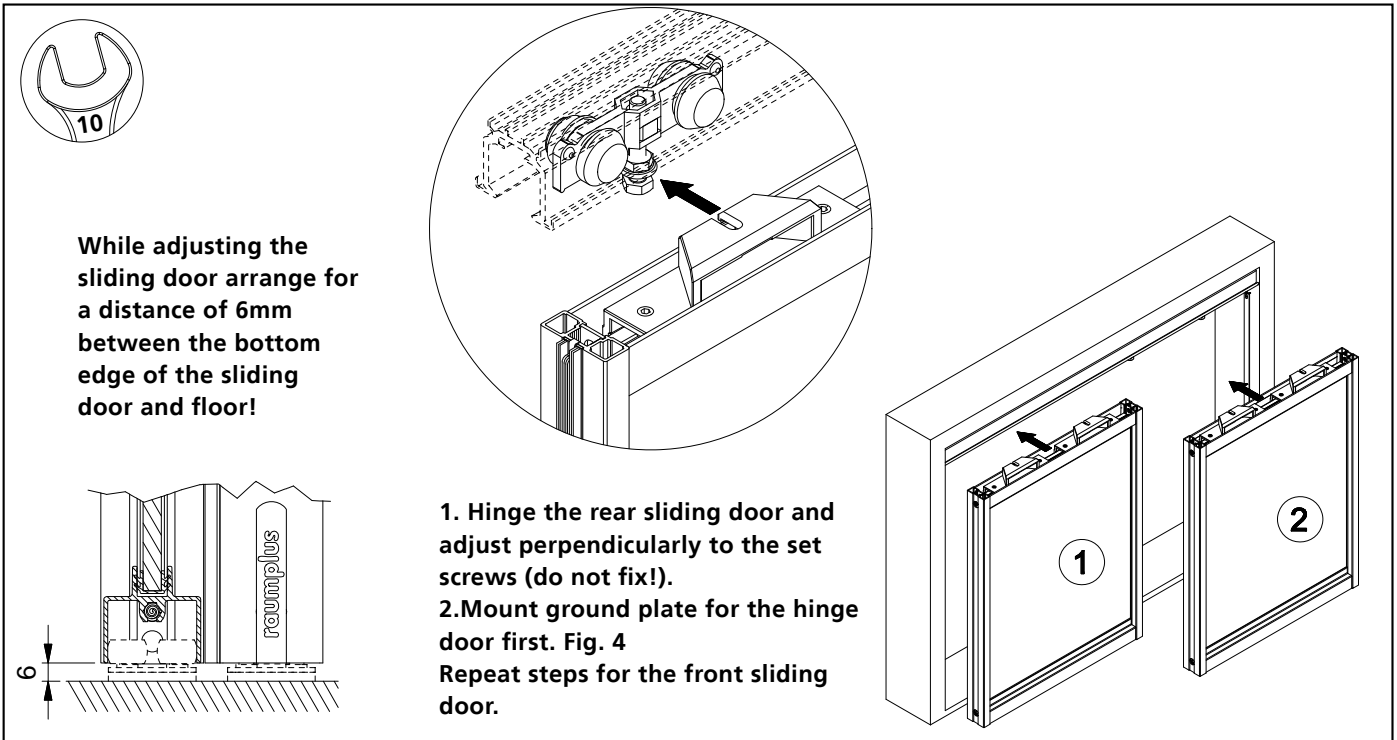
i Mounting screws and wall dowels provided by the customer.

1_ Cut cover for top track insert, middle insert profile and top track insert to size, drill holes in top track insert

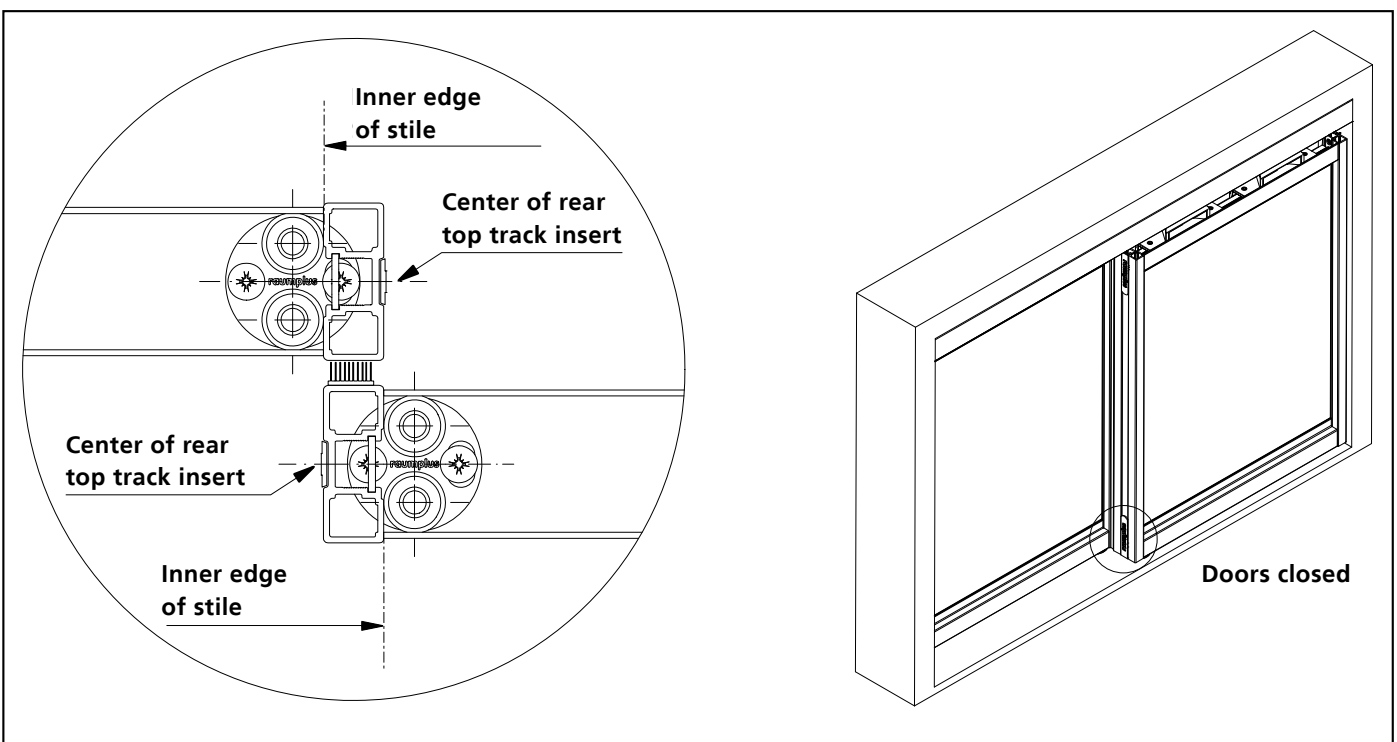


2_ Drill holes in ceiling / mount the rear top track insert horizontally

INSTALLATION INSTRUCTIONS

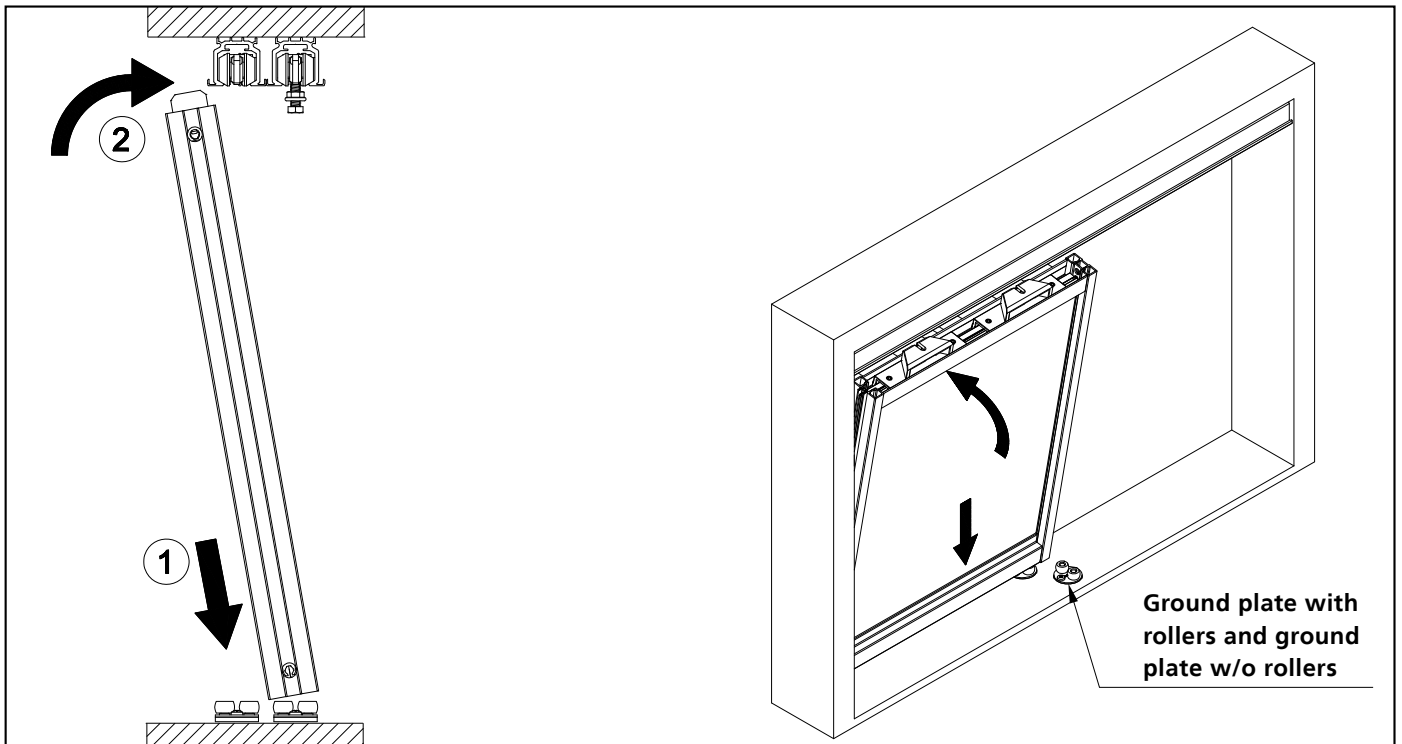


3_ Adjusting of the sliding door / mounting of the ground plate

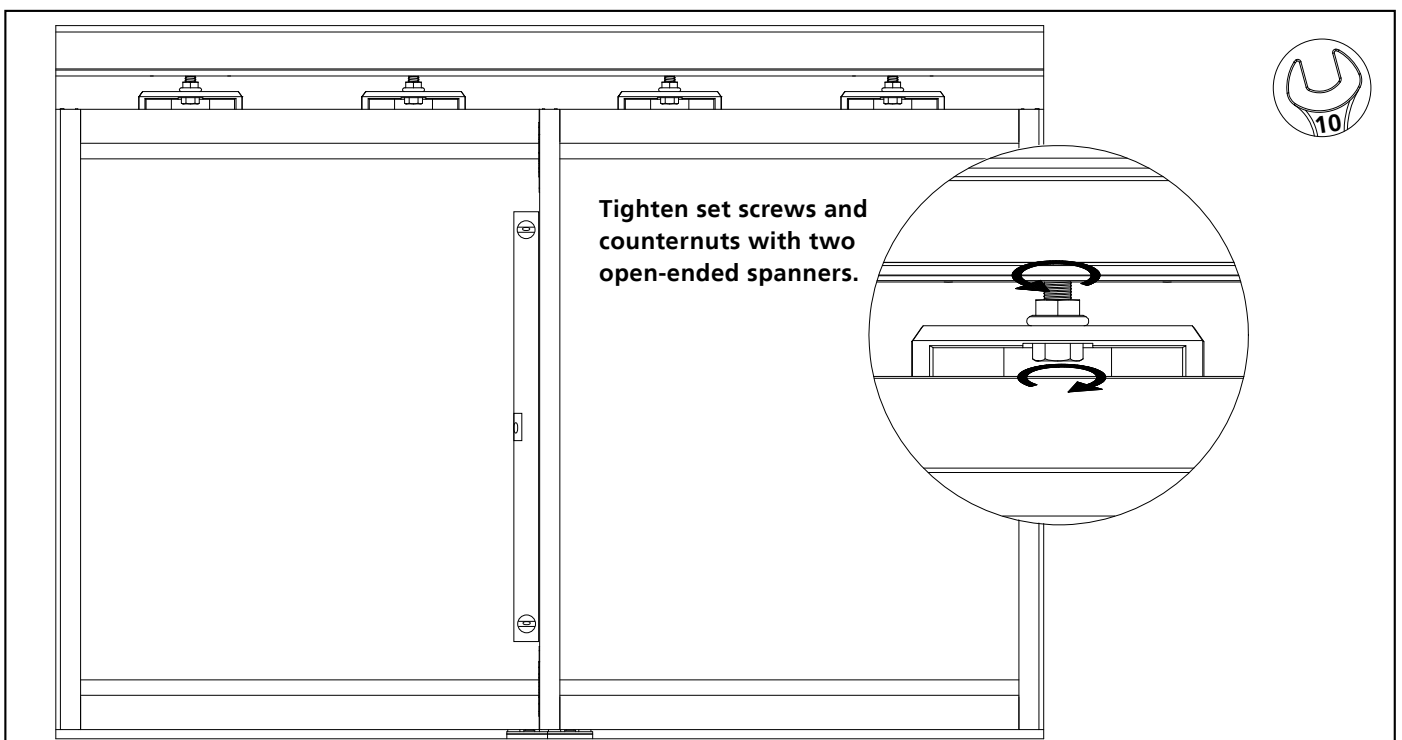


4_ Mark position of ground plate (masking tape / pencil), unhinge rear sliding door and mount ground plate

INSTALLATION INSTRUCTIONS

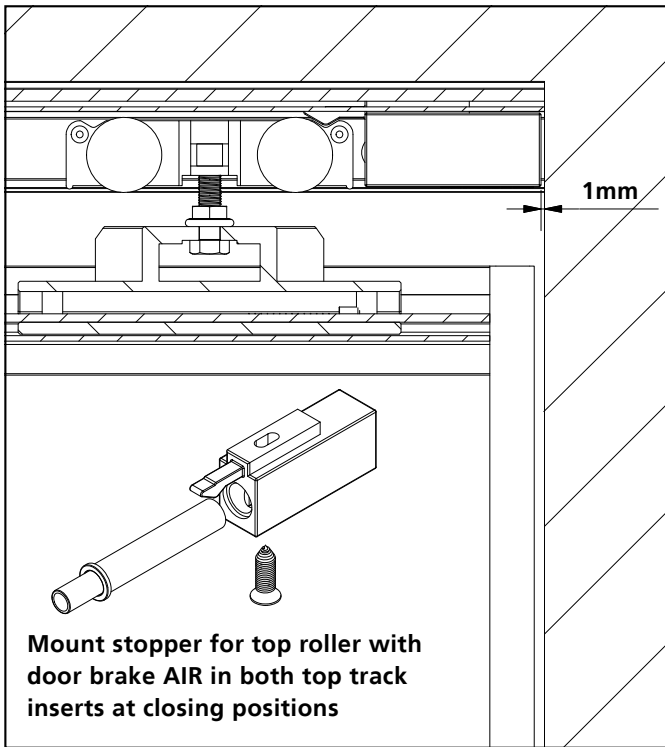


5_ Hinge AIR- door

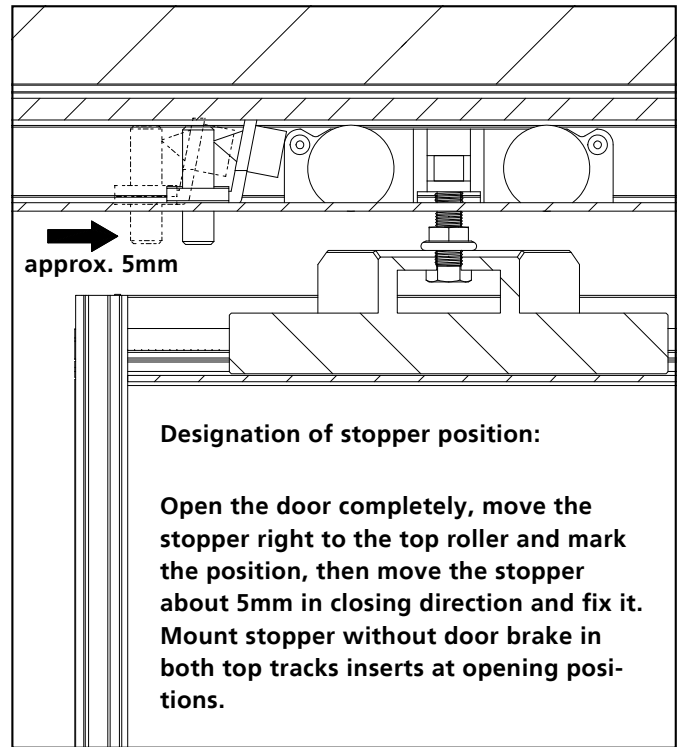


6_ Adjust AIR-door

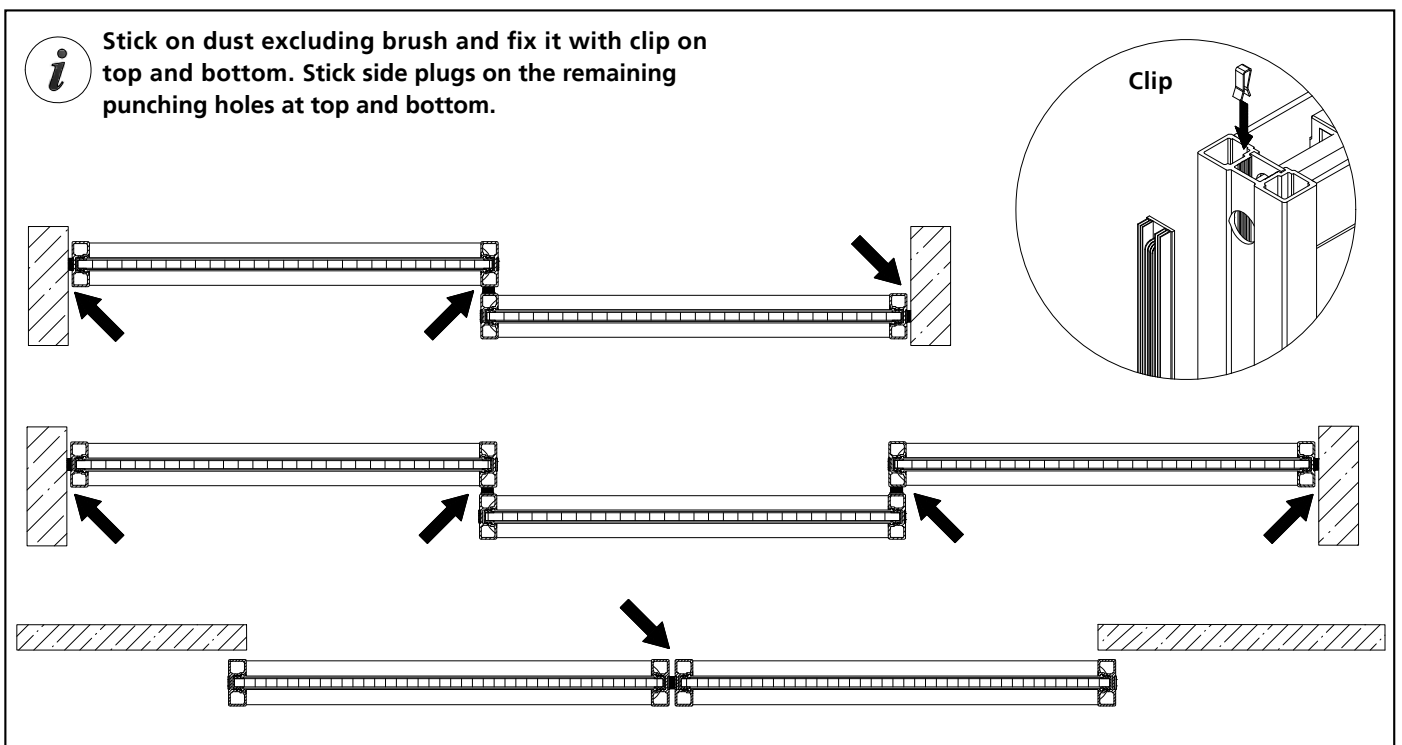
INSTALLATION INSTRUCTIONS



7_ Stopper for top roller with door brake

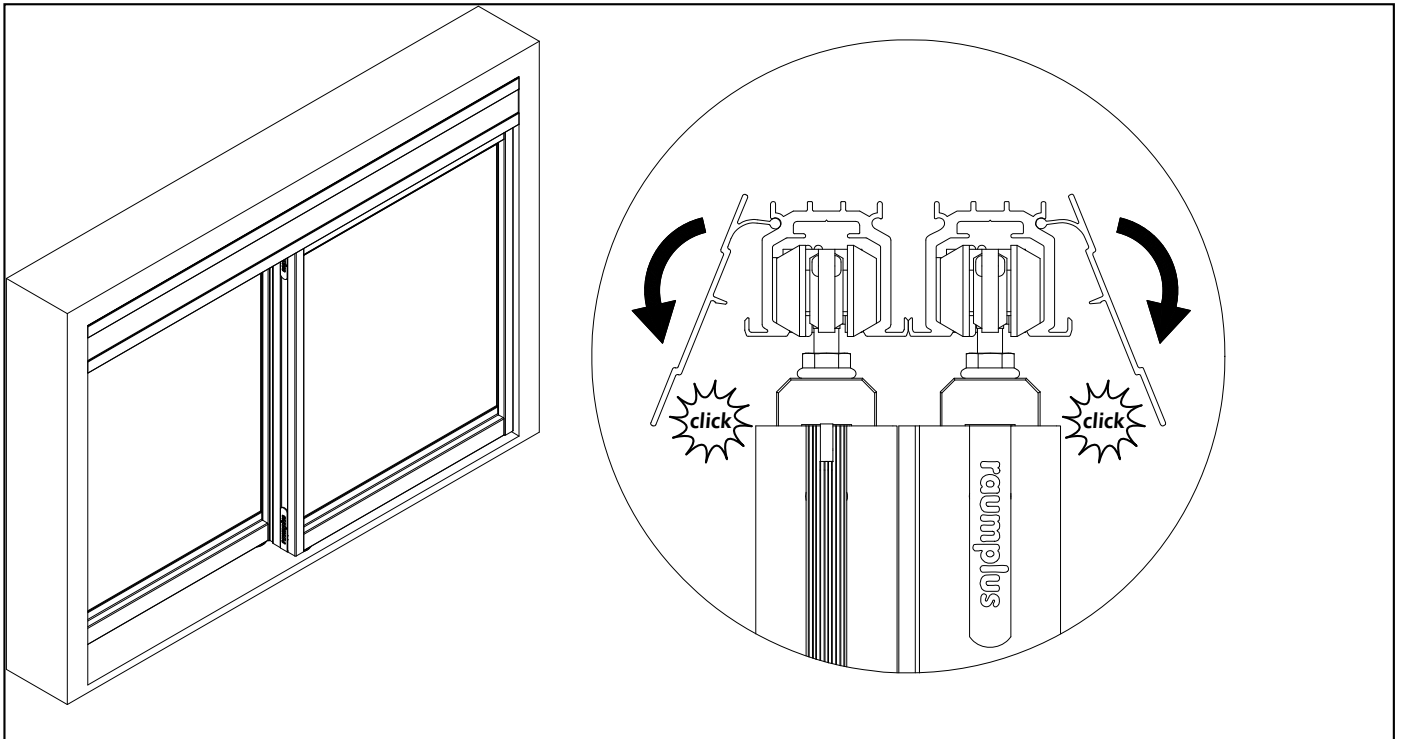


8_ Stopper without door brake

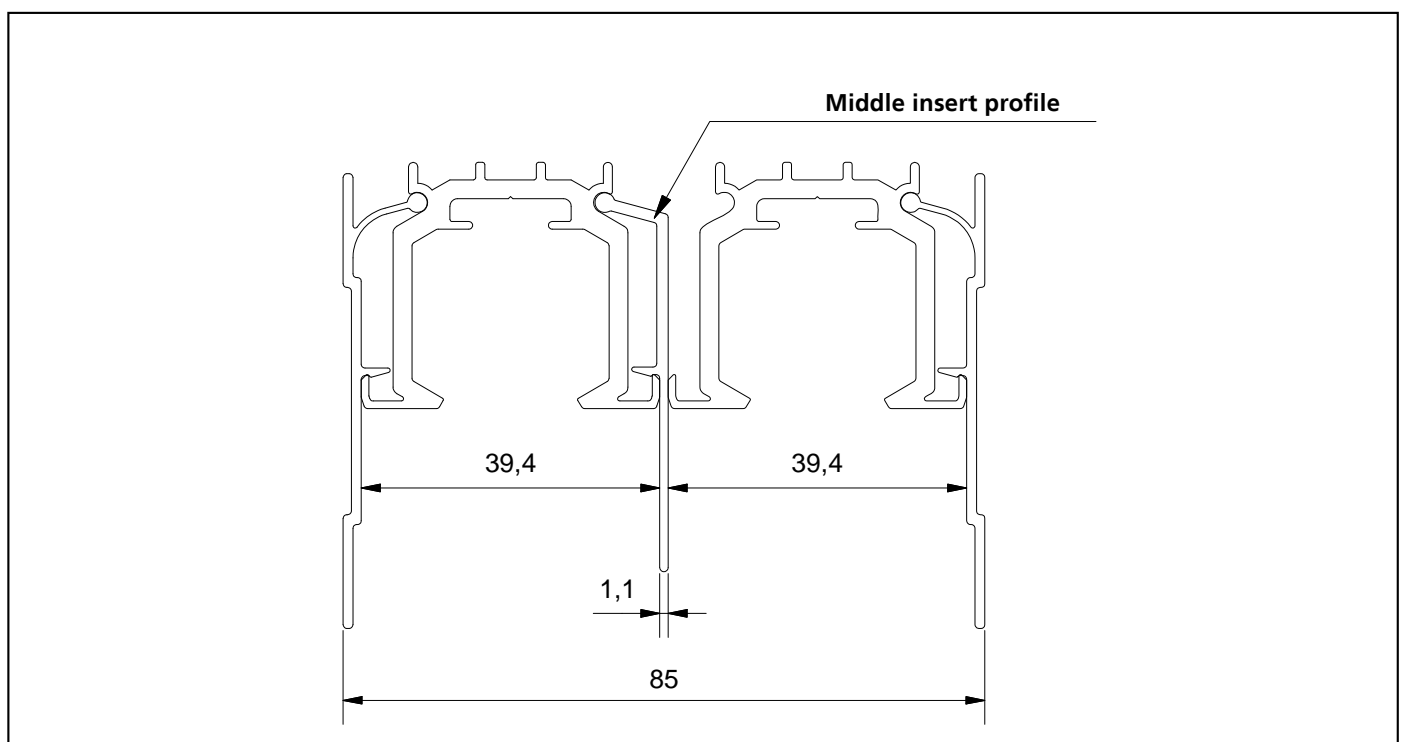


9_ Positions of dust excluding brushes

INSTALLATION INSTRUCTIONS

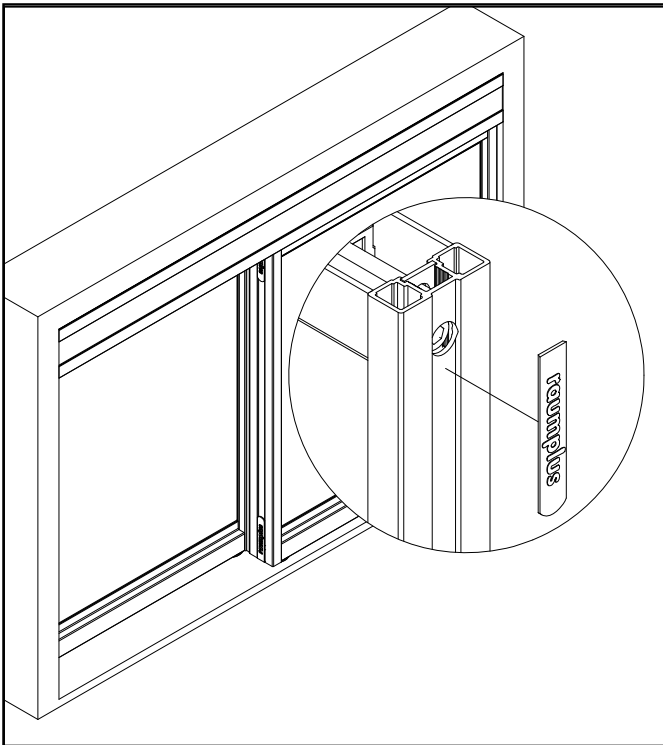


12_ Affix covers for top track insert on front and back

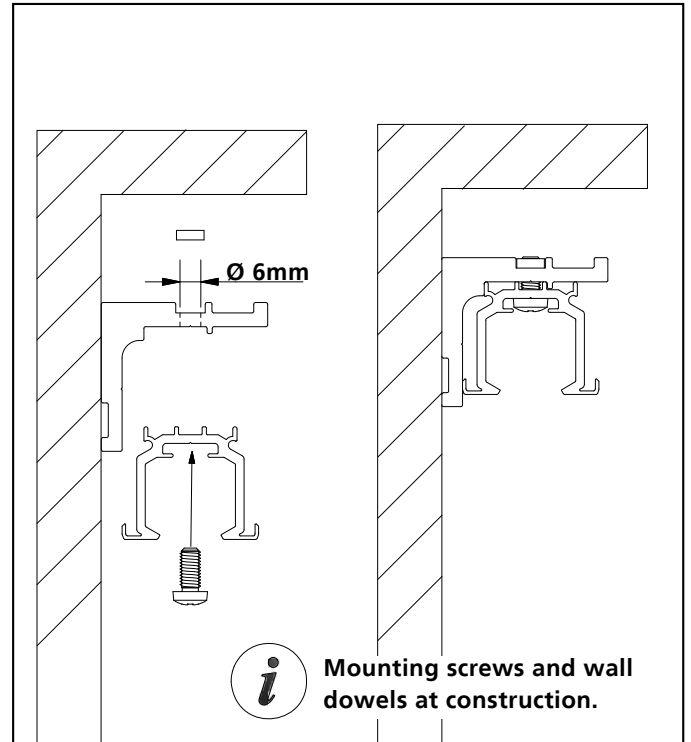


10_ Middle insert profile AIR, Visual cover for adjoining roller tracks.

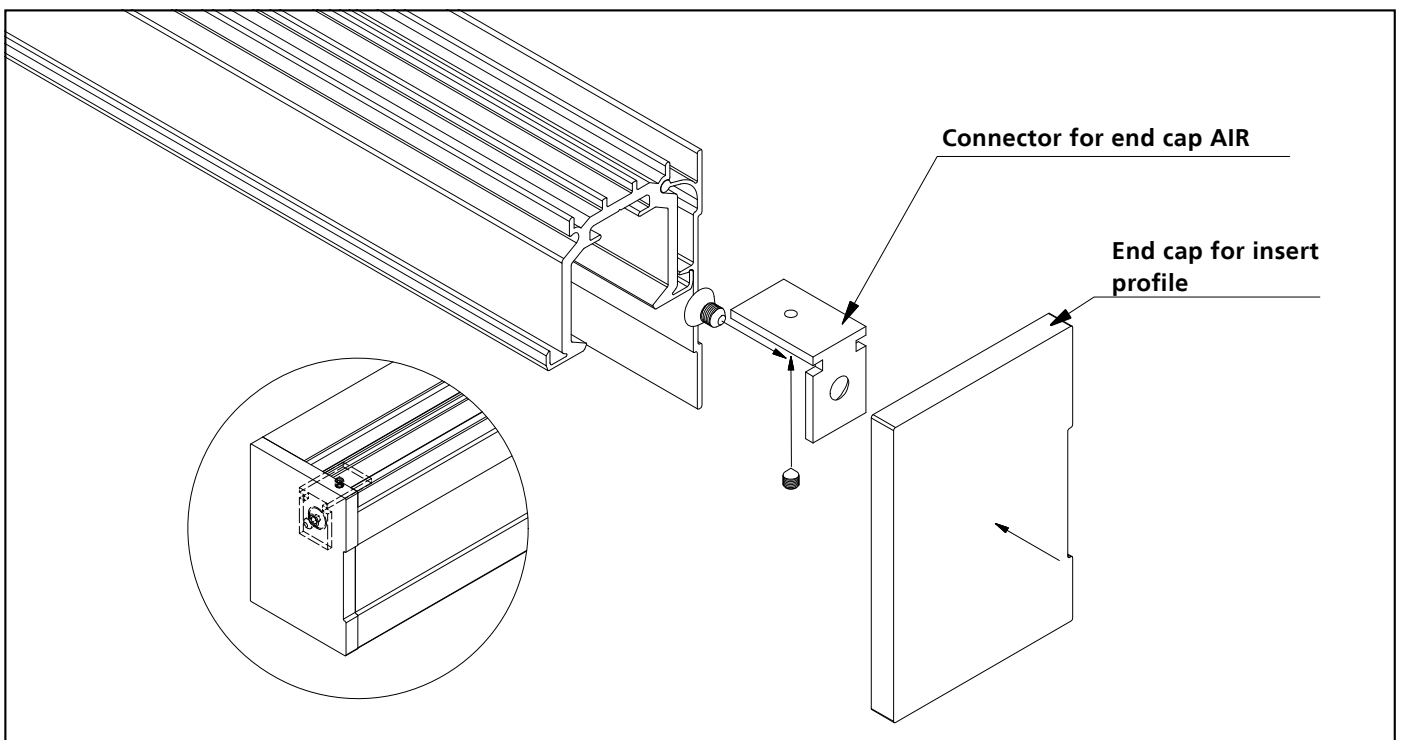
INSTALLATION INSTRUCTIONS



11_ Stick plugs for punching holes



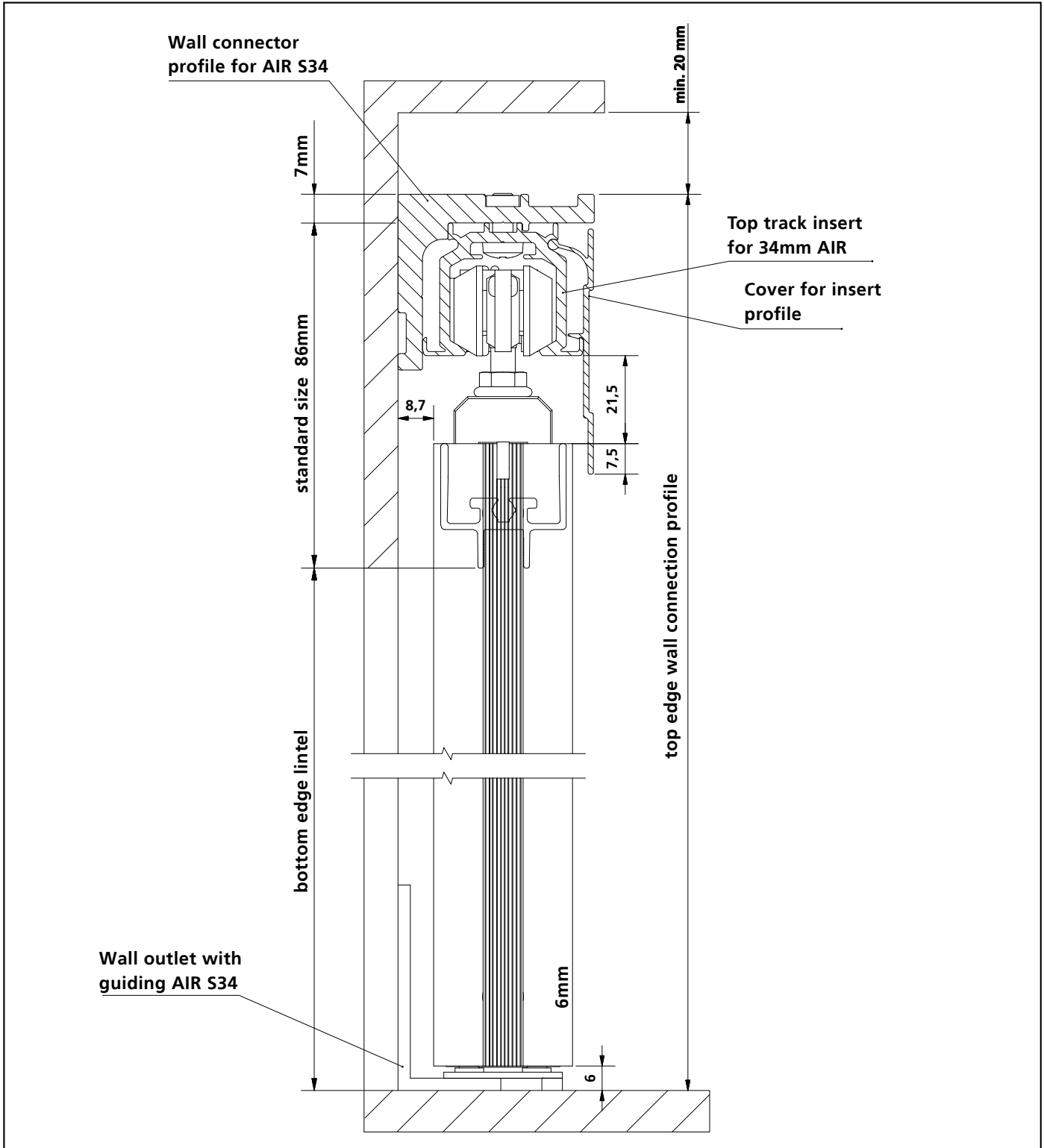
2_ Mount the wall connector profile for AIR S34



3_ Mount the end cap for insert profile

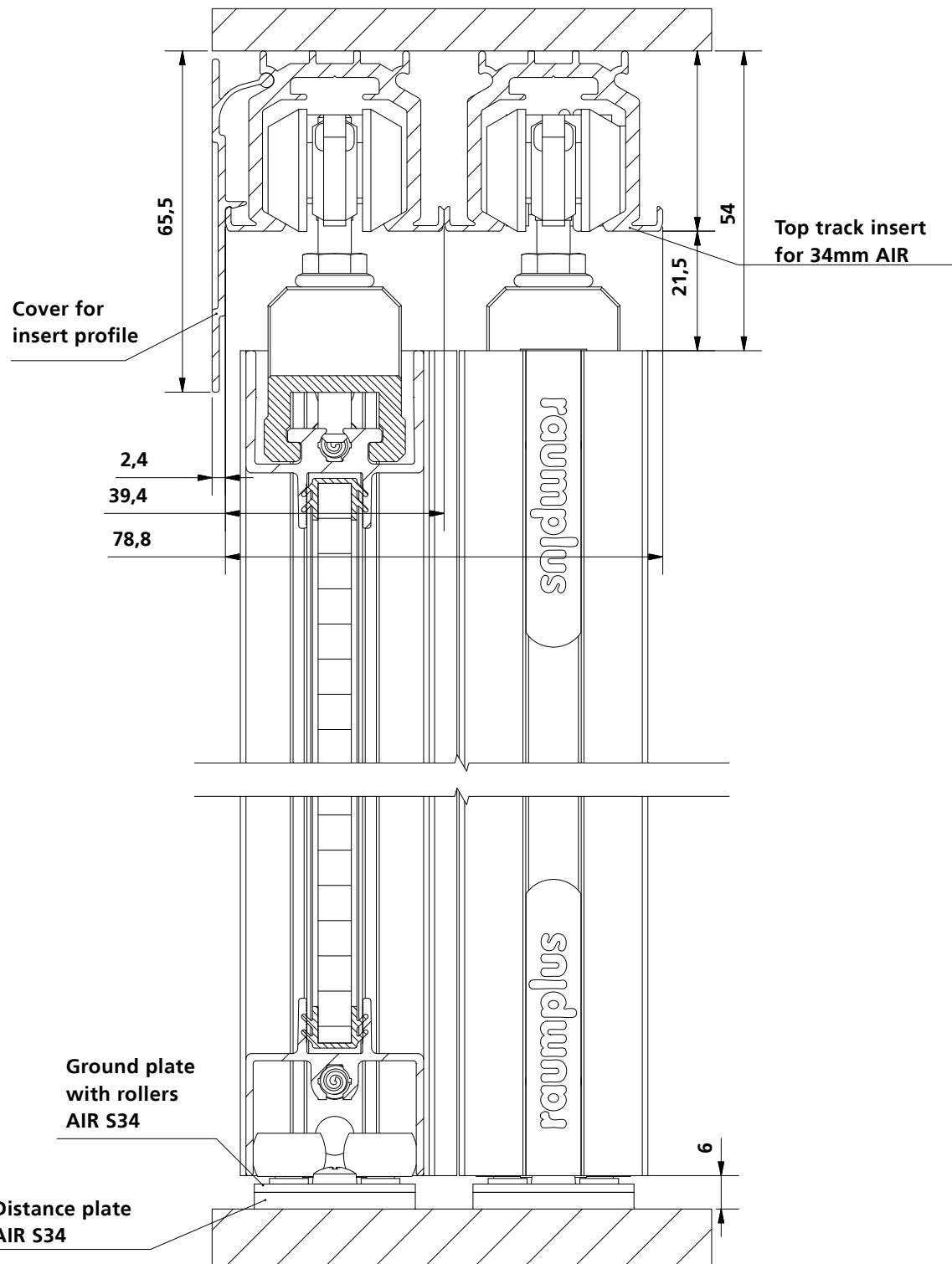
DETAILED DRAWINGS

WALL CONNECTOR PROFILE FOR AIR S34



1_ Vertical section AIR-B S150

DETAILED DRAWINGS



10_ Vertical section S150 AIR double track