

INTERIOR SYSTEM: ASSEMBLY INSTRUCTIONS

raumplus »Flua« WOODEN DOOR

Version 1.0 (Up to data: October 2012)

5.16.1.c



Subject to technical changes.

raumplus

INDEX

General information and tools_ page 03

Accessories_ page 04

Detaildrawing closet corpus_ page 05

Exploded drawing doors_ pages 08 - 09

Drilling template doors_ pages 10 - 11

Straighten-door gear_ pages 12 - 14

Cutting dimensions_ page 15

VERSION INFORMATION:
Version 1:

GENERAL INFORMATION AND TOOLS

GENERAL INFORMATION:

Preparation:

- Please check the completeness of the delivered parts and their item numbers according to the delivery note and the assembly instruction.
- Please check the delivered parts for possible damage.
- If several parts are damaged or lost, please contact your responsible retailer.

Used symbols:



Symbol for a useful additional notice and information.



Symbol for a hazard or danger!

Notice:

- It is assumed that you have exactly identified all cutting dimensions.
- For help with your **raumplus**-product, please contact your responsible retailer.

Assembly or installation?

- For the assembly of the delivered **raumplus**-product please follow the job steps described in the assembly instruction.
- For the installation of the delivered **raumplus**-product please follow the job steps described in the installation instruction.

Information

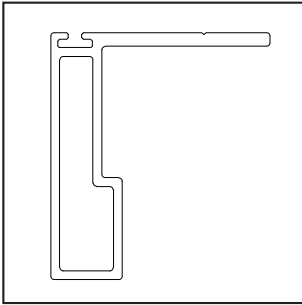
- max. door weight **60kg**
- min. / max. door height = **700mm / 2600mm**
- min. / max. door width = **750mm / 1800mm**

TOOLS:

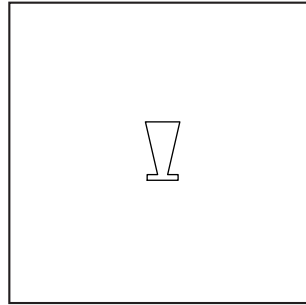
- Cross tip screwdriver
- Cordless screwdriver

ACCESSORIES

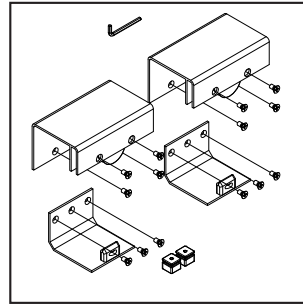
ACCESSORIES:



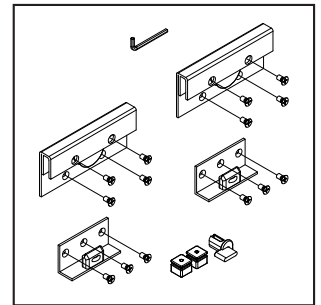
1_ 21.71.0xx



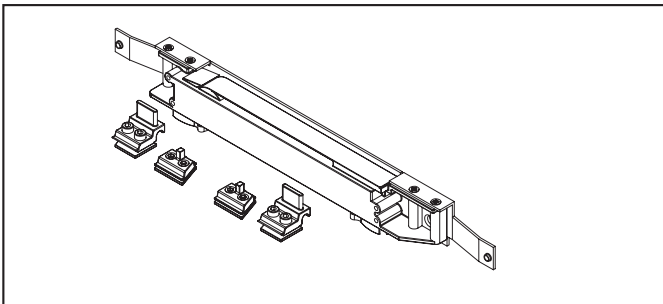
2_ 10.20.06x



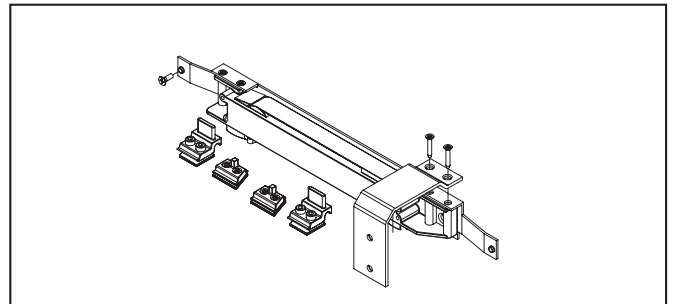
3_ 10.20.005



4_ 10.20.020



5_ 10.20.021



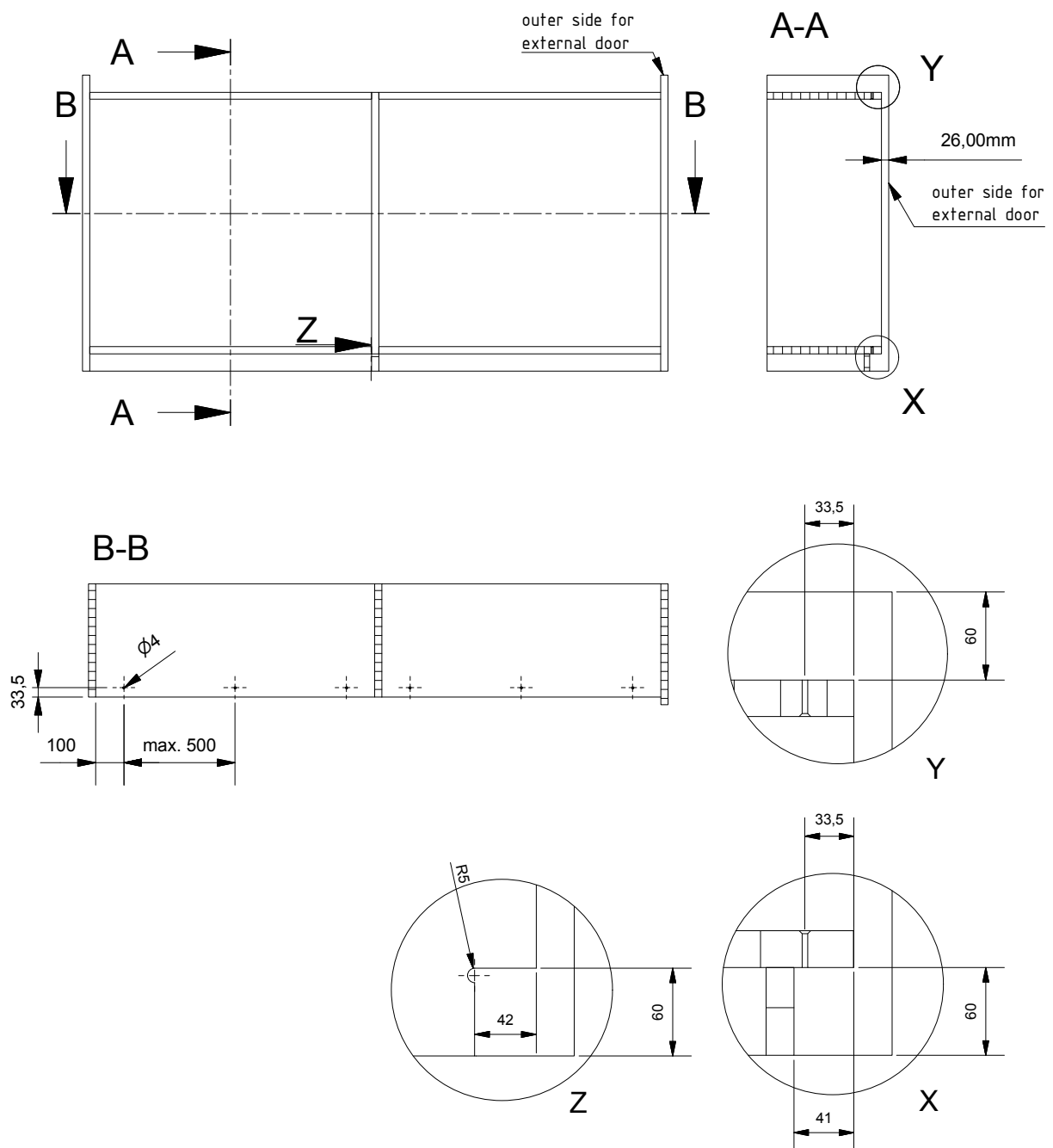
6_ 10.20.006

- 1_ Stile wooden door
- 2_ Dust excluding brush
- 3_ Sliding mechanism set external door
- 4_ Sliding mechanism set internal door
- 5_ Damper set internal door (optional)
- 6_ Damper unit external door (optional)

- 7_ Door straightening system, 1 Set at a door, w/o fig. 10.20.007

DETAILED DRAWINGS

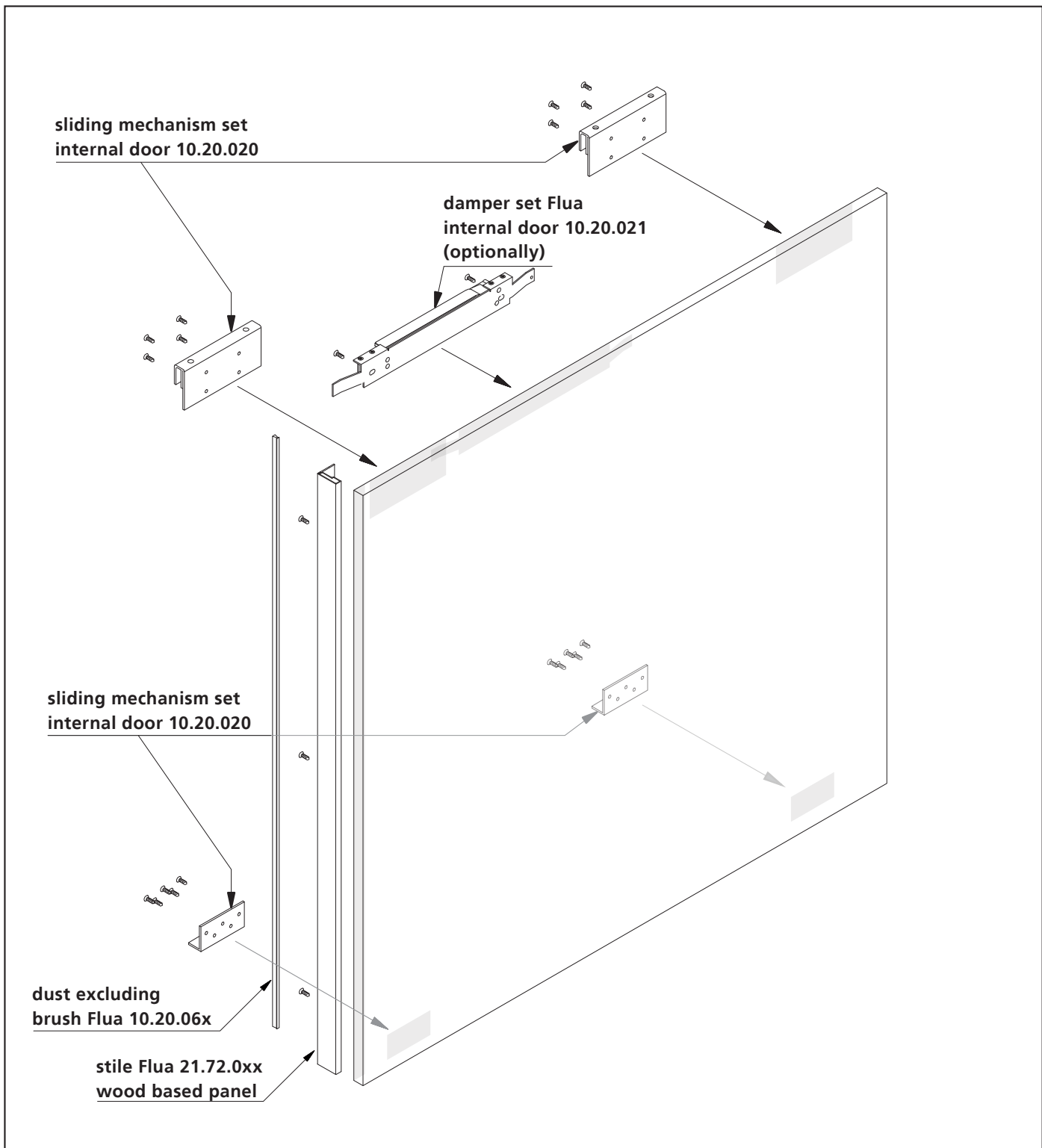
CABINET



1_ Cabinet dimensions and drilling pattern of rails

INTERNAL DOOR

EXPLODED DRAWING

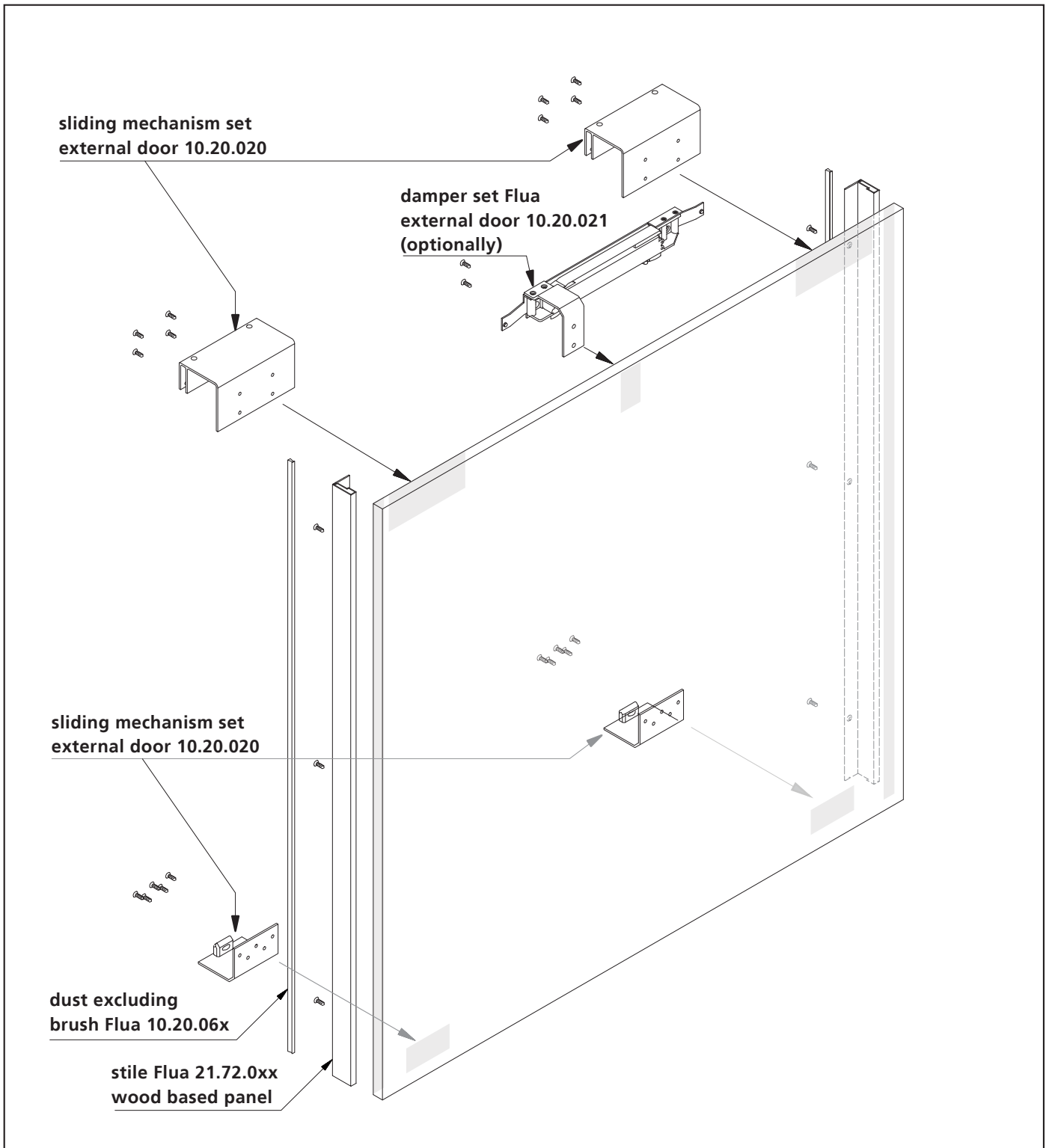


06_07

1_ Internal door with fittings

EXTERNAL DOOR

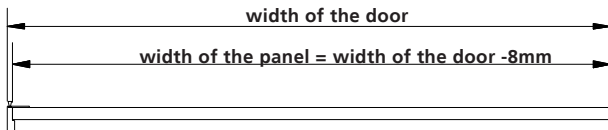
EXPLODED DRAWING



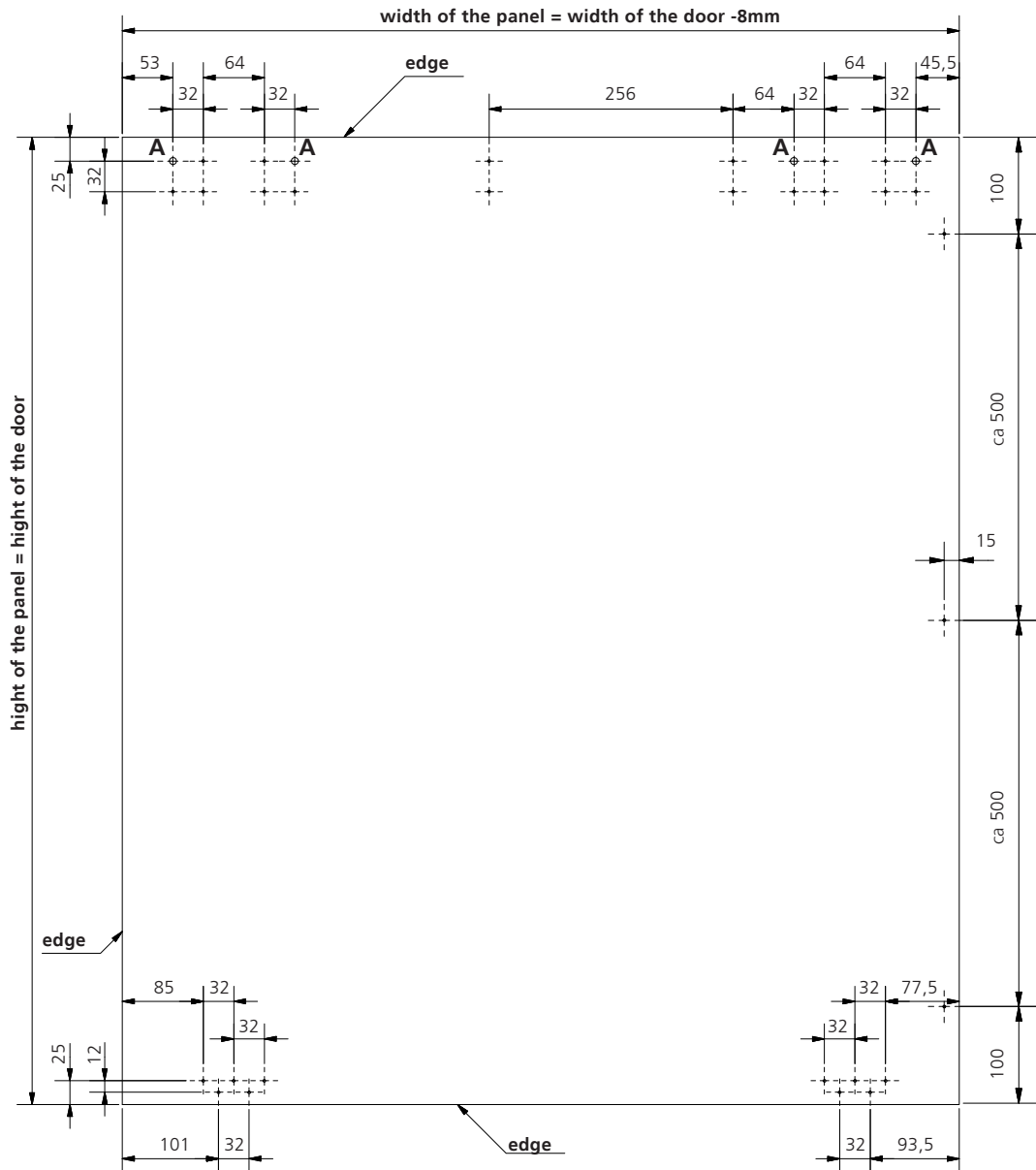
2_ External door and fittings

INTERNAL DOOR

EXPLODED DRAWING

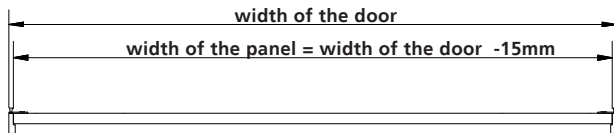


unmarke holes = \varnothing 3mm / 11mm depth
 holes marked with „A“ = \varnothing 7mm / 11mm depth

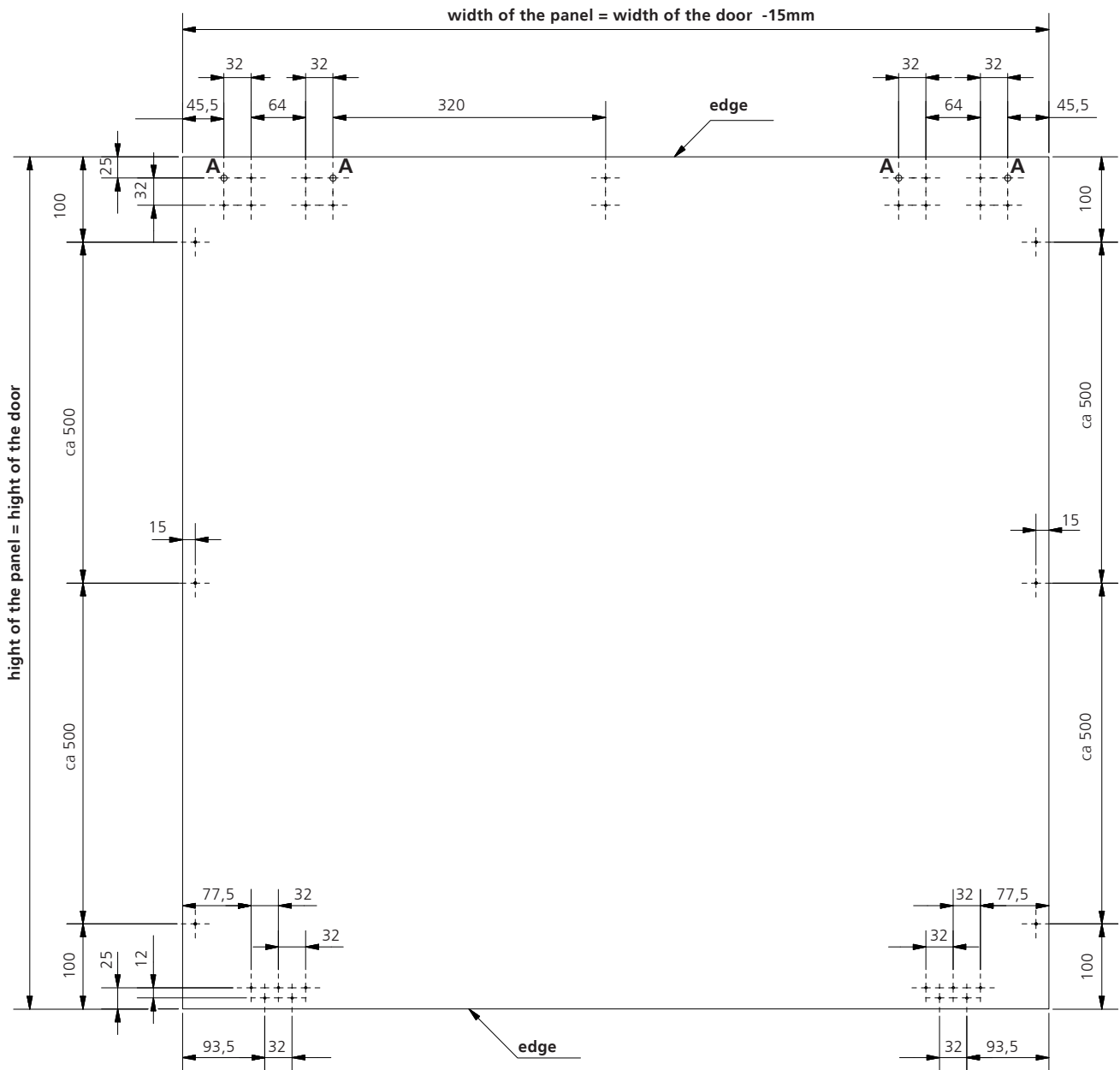


DRILLING TEMPLATE

EXTERNAL DOOR

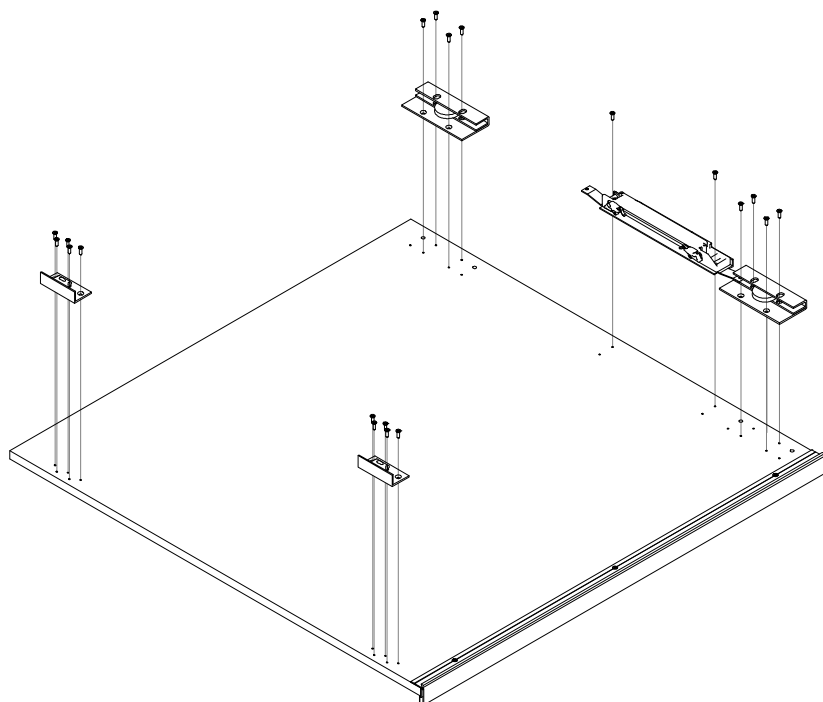
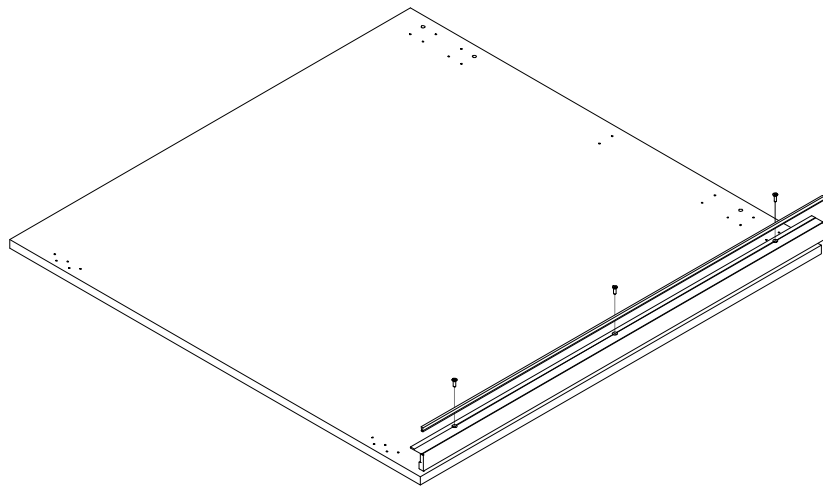


unmarke holes = \varnothing 3mm / 11mm depth
 holes marked with „A“ = \varnothing 7mm / 11mm depth



DETAILED DRAWINGS

INTERNAL DOOR MOUNTING THE FITTINGS

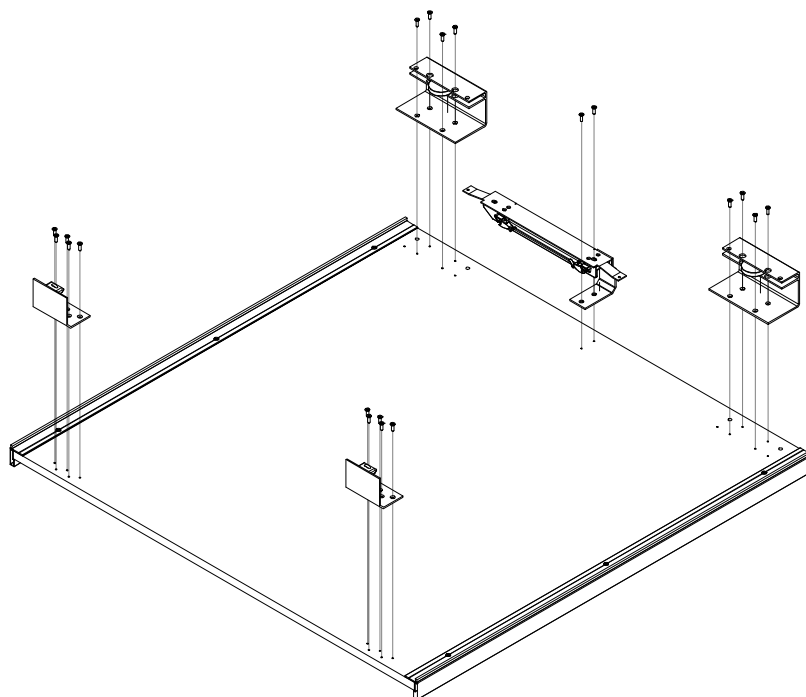
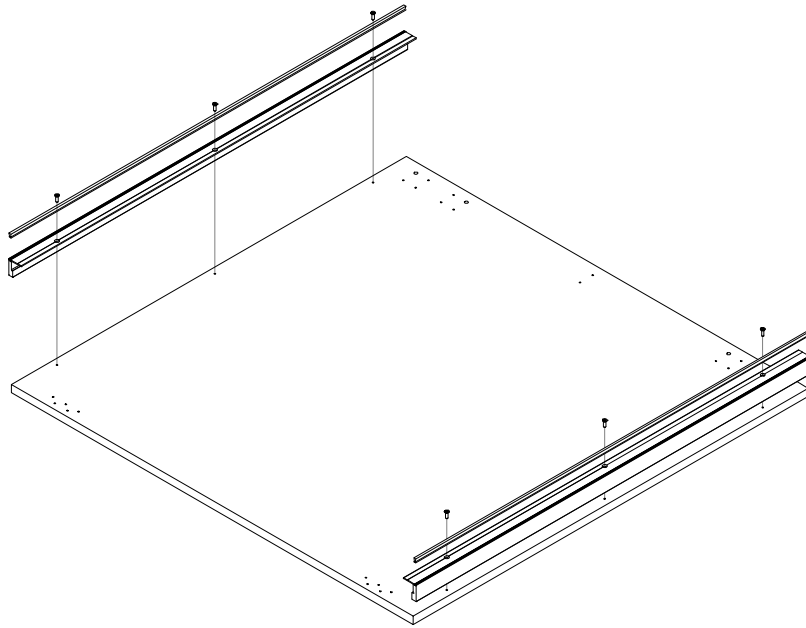


10_11

1_ Fixing of all available fittings and profiles with the included screws (damper optional)

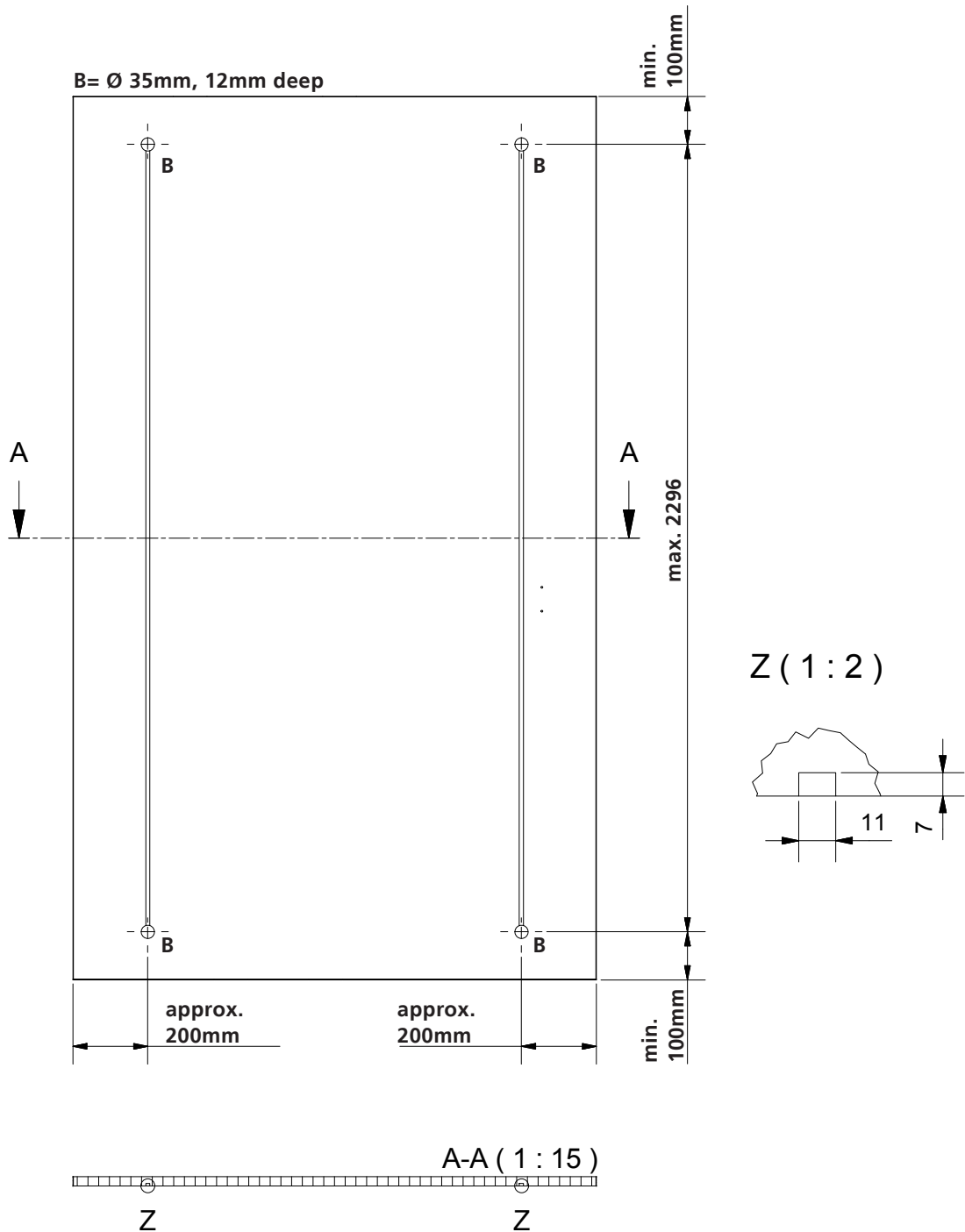
DETAILED DRAWINGS

EXTERNAL DOOR MOUNTING THE FITTINGS



2_ See left

DETAILED DRAWINGS DRILLING TEMPLATE / MILLING PATTERN STRAIGHTEN-DOOR GEAR

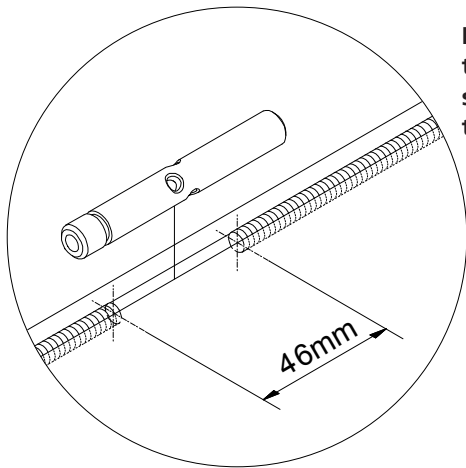


12_13

1_ Drilling template / milling pattern

DETAILED DRAWINGS

MOUNTING STRAIGHTEN-DOOR GEAR

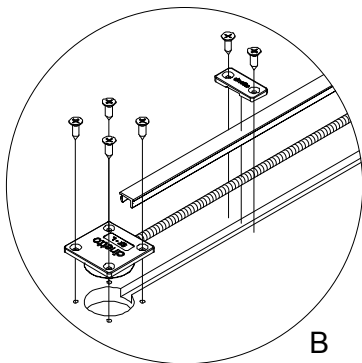
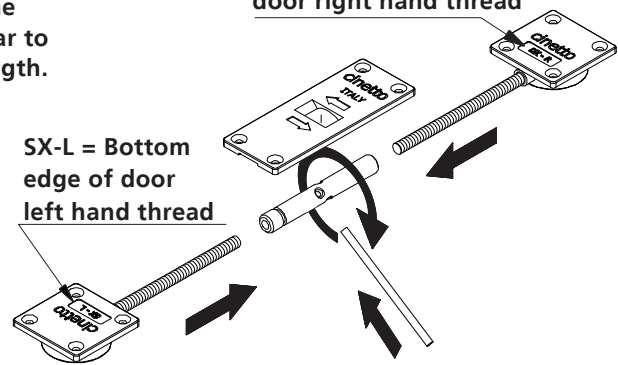


If necessary shorten the threaded rods of the straighten door gear to the appropriate length.

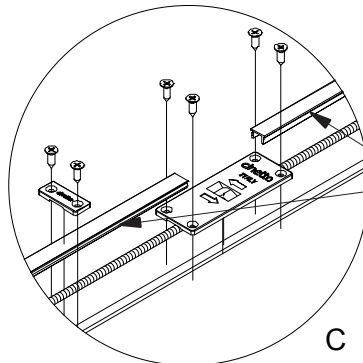
DX-R = Top edge of door right hand thread

SX-L = Bottom edge of door left hand thread

A

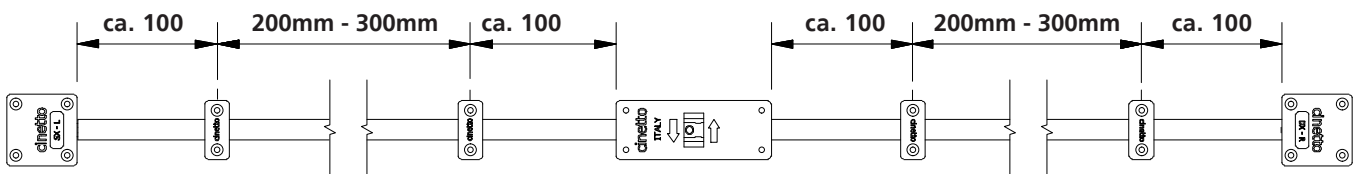
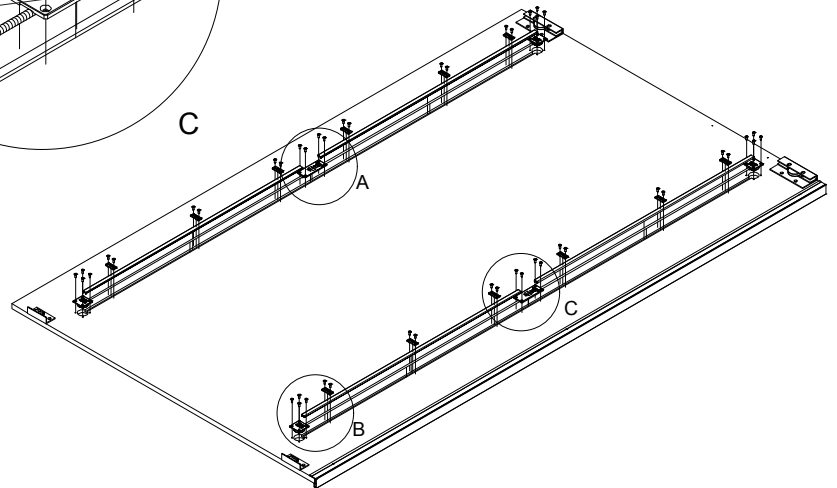


B



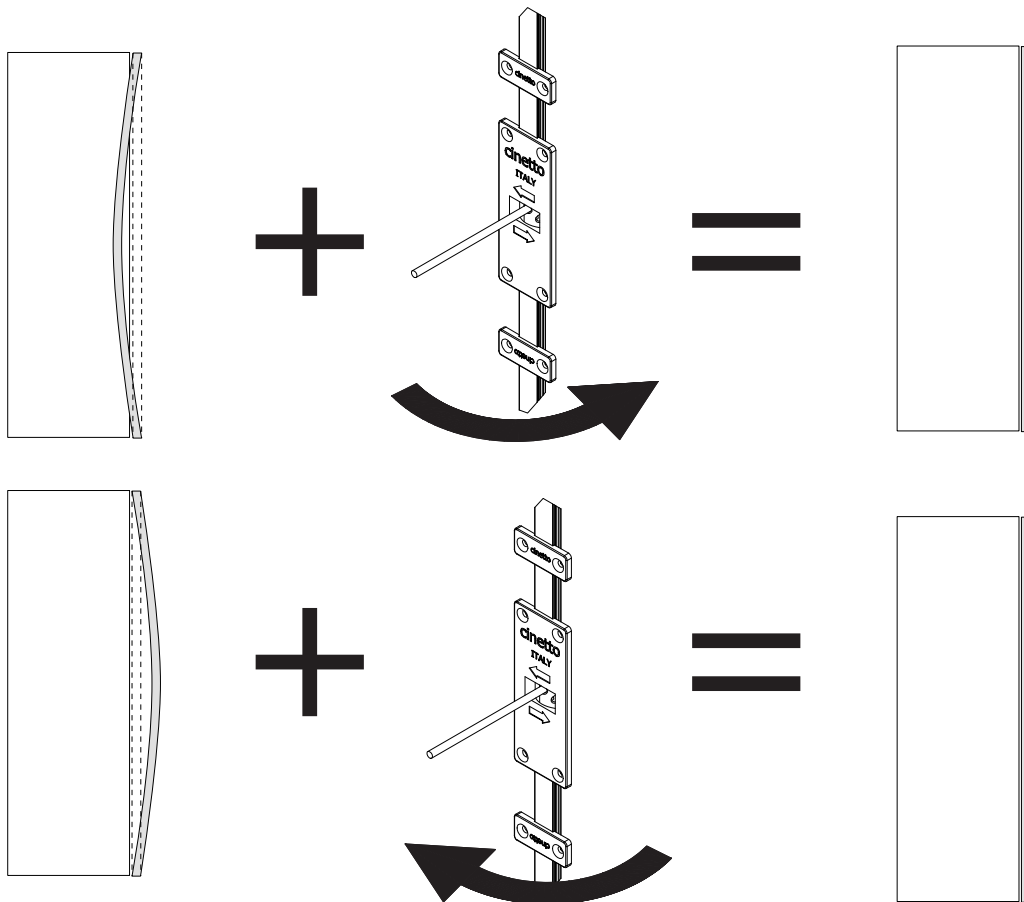
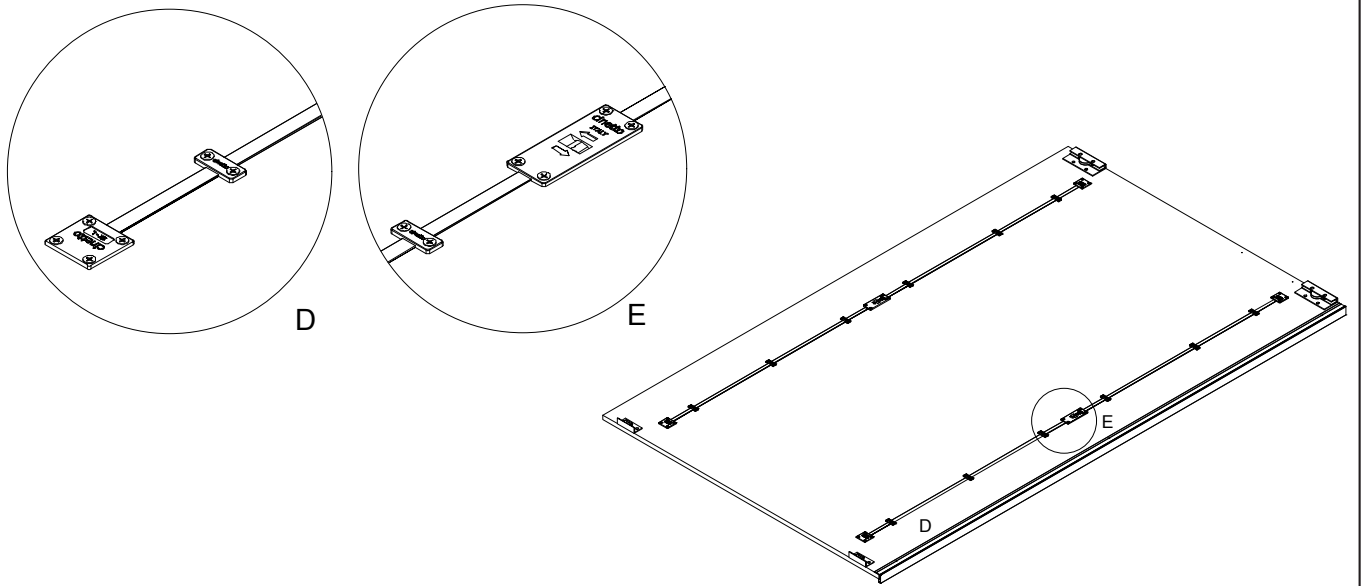
C

Saw the U-profile coverage to the appropriate length



DETAILED DRAWINGS

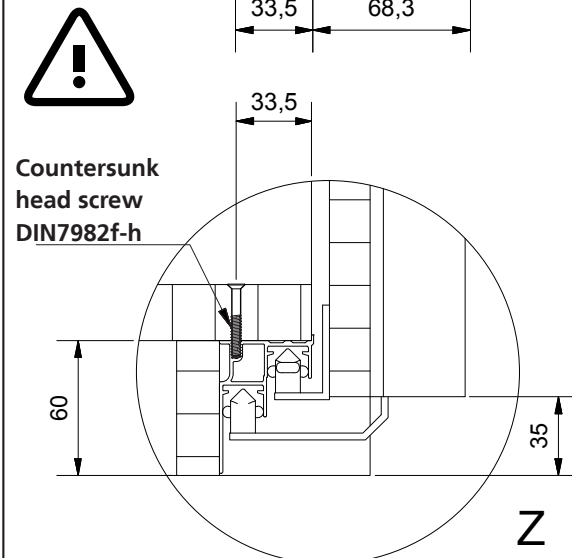
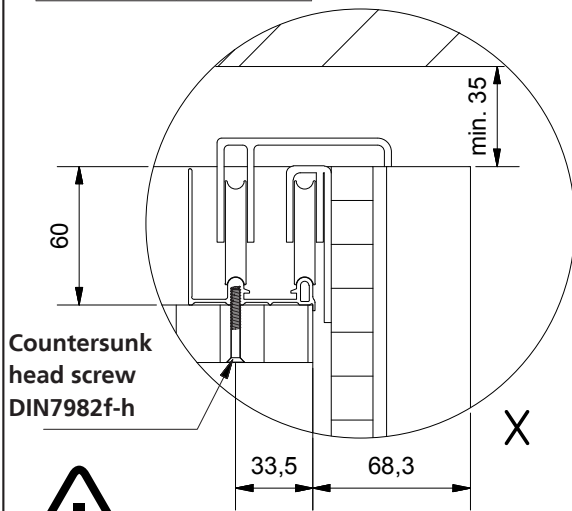
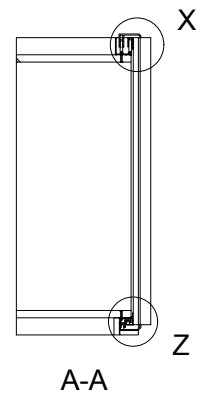
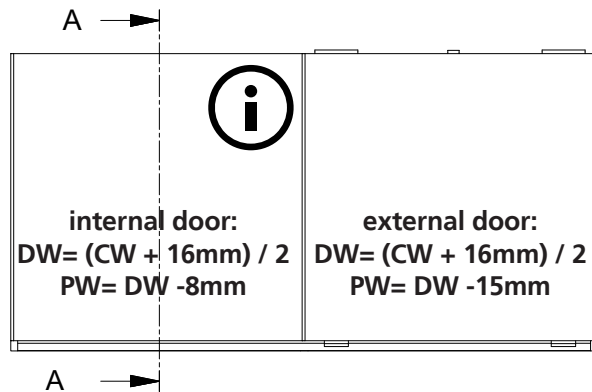
ALIGNING THE DOORS



CUTTING DIMENSION

INTERNAL AND EXTERNAL DOOR

Countersunk head screw DIN7982f-h	
Screw length	Panel thickness
27	19
29	22
32	25
35	28



General

max. weight: **60Kg**
 max. height: **2600mm**
 min. height: **700mm**
 max. width: **1800mm**
 min. width: **750mm**
 Overlapping: **16mm**
 Panel: **18mm**

Legend:

CH: Cabinet height
CW: Cabinet width
DH: Door height
DW: Door width
LV: Length of vertical profile
PH: Panel height
PW: Panel width

Cutting measures:

$DH = CH - 35mm$
 $DH = LV = PH$
PW = see above