

# INTERIOR SYSTEMS: ASSEMBLY & INSTALLATION INSTRUCTIONS

## UNO

Version 7\_ June 2011



**Subject to technical changes.**

**raumplus**

# INDEX

**General information and tools\_** page 3

**Accessories\_** page 4

**Cutting dimensions\_** page 5

**Assembly examples / measurements** page 6

**Detail drawings\_** page 8

**Assembly instruction\_** page 9

**Installation instruction\_** page 10

**Accessories\_** page 14

**VERSION INFORMATION:**

Version 7: Completely revised

# GENERAL INFORMATION AND TOOLS

## GENERAL INFORMATION:

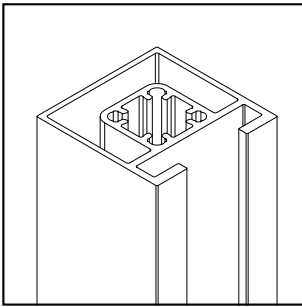
After having unpacked and checked all items please read the instructions, then you can start your assembly work.

## TOOLS:

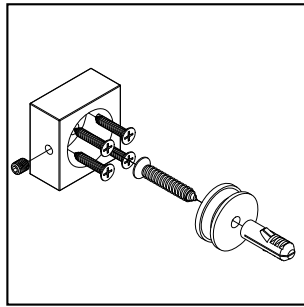
- Cross tip screwdriver
- Water level
- Measuring tools
- Rubber mallet
- Allen keys
- Drilling machine
- Drills 8,5mm / 5mm
- Threading tool 10 mm
- Open-ended spanner 14 mm

# ACCESSOIRES

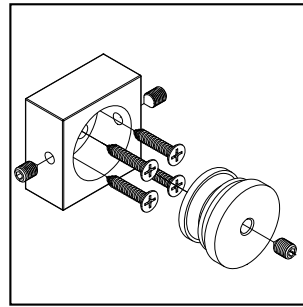
## ACCESSOIRES:



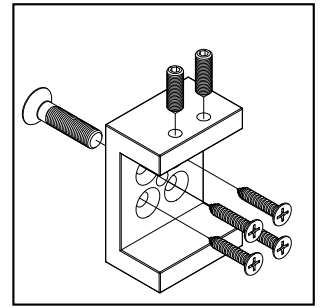
1\_



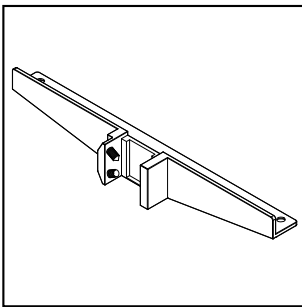
2\_



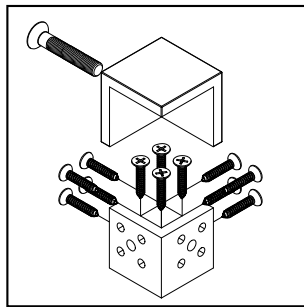
3\_



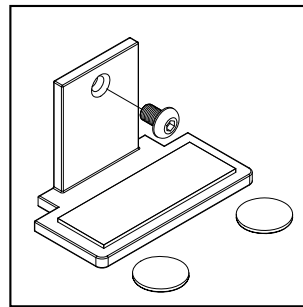
4\_



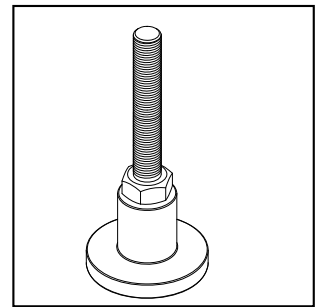
5\_



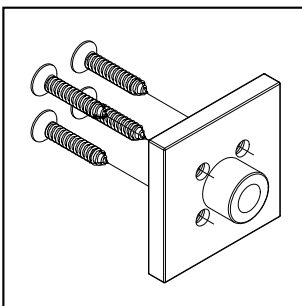
6\_



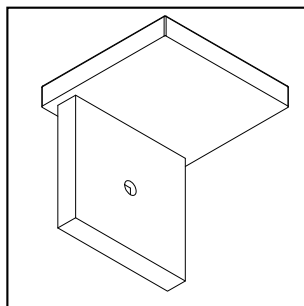
7\_



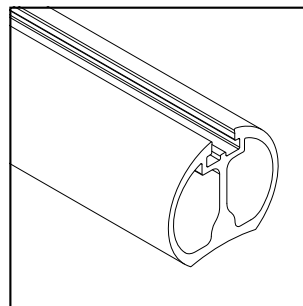
8\_



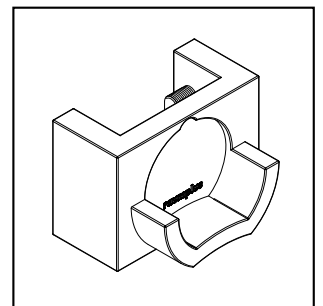
9\_



10\_



11\_



12\_

1\_ Carrier profile (80.01.020)

2\_ Wall- and ceiling connection (80.20.040)

3\_ Profile connection (80.20.060)

4\_ Universal carrier (80.40.050)

5\_ L-carrier (80.40.020)

6\_ Corner connection (80.20.080)

7\_ Attachment for glass shelf carrier (80.40.025)

8\_ Adjustment foot (80.20.015)

9\_ Transition piece (80.20.010)

10\_ End cap (80.20.090)

11\_ Hanging rod, round (80.23.020)

12\_ Rod carrier (80.40.035)

13\_ Hanging rod oval 80.22.050 without Fig.

14\_ Rod carrier (80.40.030) without Fig.

15\_ PVC rod for 80.23.020 (80.23.025) without Fig.

16\_ Belt keeper (80.22.060) without Fig.

17\_ Tie keeper (80.22.070) without Fig.

18\_ Universal keeper (80.22.080) without Fig.

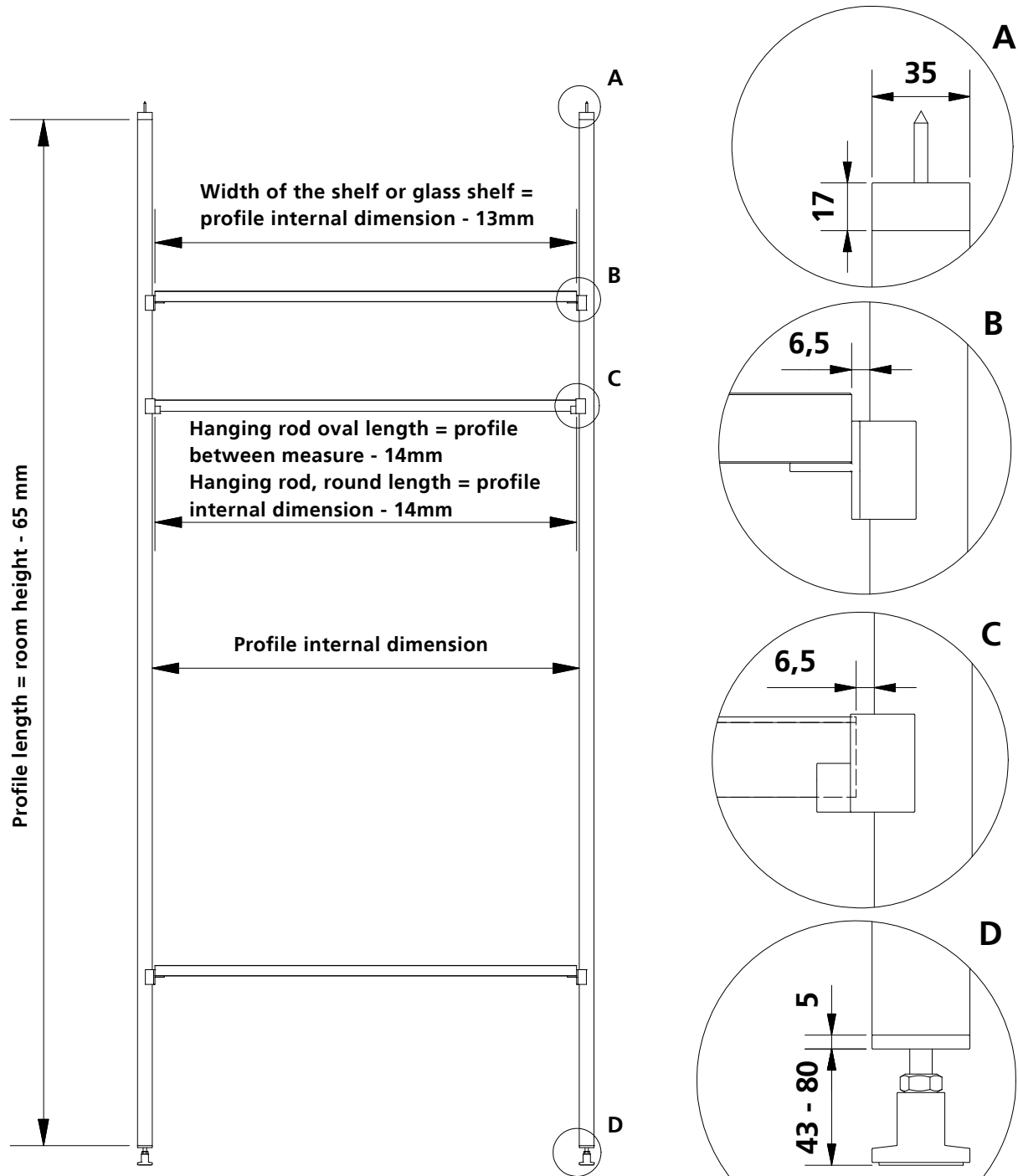
19\_ Clothes lift (80.22.090 upto 830 mm width /  
80.22.095 upto 1150 mm width) without Fig.

20\_ Adapter for belt-, tie- and universal keeper  
(80.22.065) without Fig.

18\_ Adapter for clothes lift (80.22.098) without Fig.

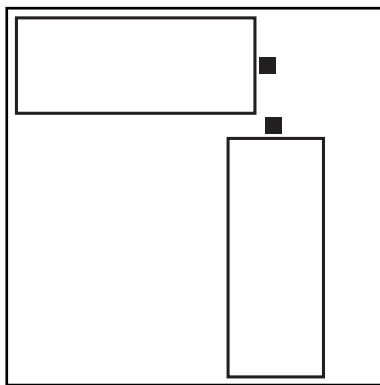
19\_ pull-out pants hanger incl. front panel  
(ACC-HOAZU01) without Fig.

# CUTTING DIMENSIONS

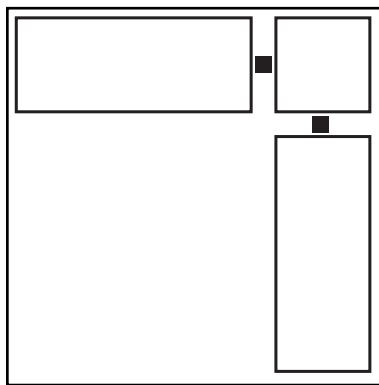


Shelves up to max. 1250 mm (thickness 25 mm);  
 profiles up to max. 3000 mm.

# ASSEMBLY EXAMPLES



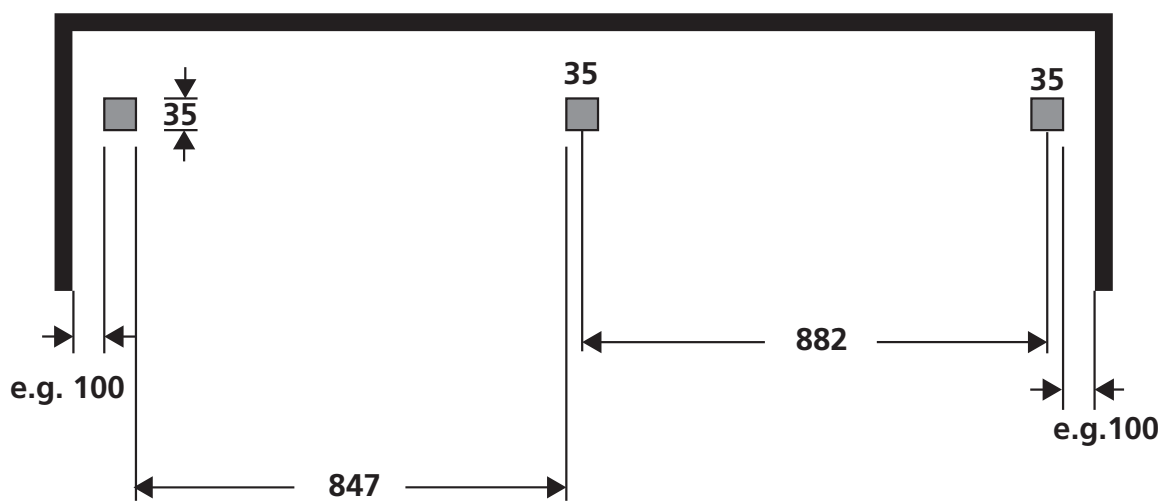
1. Possibility



2. Possibility

- 1. **Possibility:** Mount side by side  
(all positions can easily be changed).
- 2. **Possibility:** Use shelf connection piece.

1\_ Assembly examples corner



- L-carrier
- 2 x 6,5 mm = shelf 834,5
- Carrier for hanging rod
- Take in account 2 x 6,5 mm = hanging rod 834

2\_ Assembly examples alcove

# MEASUREMENTS

## BENDING OF SHELVES

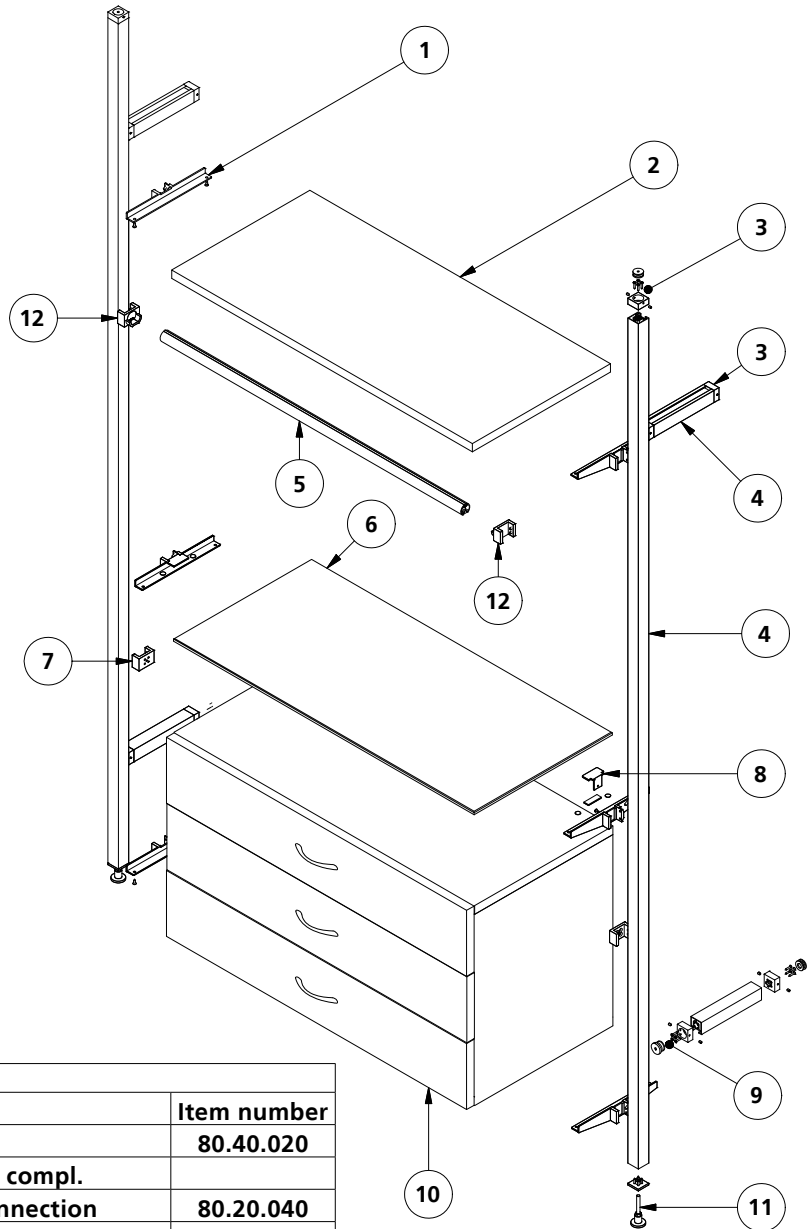
Glass ESG	thickness = 8 mm	length in mm	1250	1125	1000	825	750
	width = 460 mm	deflection in mm	9,6	7,0	4,9	2,8	2,1
	burden linear 55 kg	average utilization in %	33,0	29,7	26,4	21,8	19,8
Glass ESG	thickness = 10 mm	length in mm	1250	1125	1000	825	750
	width = 460 mm	deflection in mm	4,9	3,6	2,5	1,4	1,1
	burden linear 55 kg	average utilization in %	21,1	19,0	16,9	13,9	12,7
Glass ESG	thickness = 8 mm	length in mm	1250	1125	1000	825	750
	width = 600 mm	deflection in mm	7,3	5,4	3,8	2,1	1,6
	burden linear 55 kg	average utilization in %	25,3	22,7	20,2	16,7	15,2
Glass ESG	thickness = 10 mm	length in mm	1250	1125	1000	825	750
	width = 600 mm	deflection in mm	3,8	2,7	1,9	1,1	0,8
	burden linear 55 kg	average utilization in %	16,2	14,6	12,9	10,7	9,7
Glass ESG	thickness = 8 mm	length in mm	1250	1125	1000	825	750
	width = 460 mm	deflection in mm	3,5	2,5	1,8	1,0	0,8
	burden linear 20 kg	average utilization in %	12,0	10,8	9,6	7,9	7,2
Glass ESG	thickness = 10 mm	length in mm	1250	1125	1000	825	750
	width = 460 mm	deflection in mm	1,8	1,3	0,9	0,5	0,4
	burden linear 20 kg	average utilization in %	7,7	6,9	6,1	5,1	4,6
Glass ESG	thickness = 8 mm	length in mm	1250	1125	1000	825	750
	width = 600 mm	deflection in mm	2,7	1,9	1,4	0,8	0,6
	burden linear 20 kg	average utilization in %	9,2	8,3	7,4	6,1	5,5
Glass ESG	thickness = 10 mm	length in mm	1250	1125	1000	825	750
	width = 600 mm	deflection in mm	1,4	1,0	0,7	0,4	0,3
	burden linear 20 kg	average utilization in %	5,9	5,3	4,7	3,9	3,5
Chipboard	thickness = 25 mm	length in mm	1250	1125	1000	825	750
	width = 460 mm	deflection in mm	9,2	6,7	4,7	2,6	2,0
	burden linear 55 kg	average utilization in %	14,1	12,7	11,3	9,3	8,4
Chipboard	thickness = 25 mm	length in mm	1250	1125	1000	825	750
	width = 600 mm	deflection in mm	7,0	5,1	3,6	2,0	1,5
	burden linear 55 kg	average utilization in %	10,8	9,7	8,6	7,1	6,5
Chipboard	thickness = 25 mm	length in mm	1250	1125	1000	825	750
	width = 460 mm	deflection in mm	3,3	2,4	1,7	1,0	0,7
	burden linear 20 kg	average utilization in %	5,1	4,6	4,1	3,4	3,1
Chipboard	thickness = 25 mm	length in mm	1250	1125	1000	825	750
	width = 600 mm	deflection in mm	2,6	1,9	1,3	0,7	0,6
	burden linear 20 kg	average utilization in %	3,9	3,5	3,1	2,6	2,4



**Attention: If the glass is damaged, the weight capacity decreases. Do not exceed the maximum weight allowable.**

# DETAIL DRAWING

## EXPLODED DRAWING



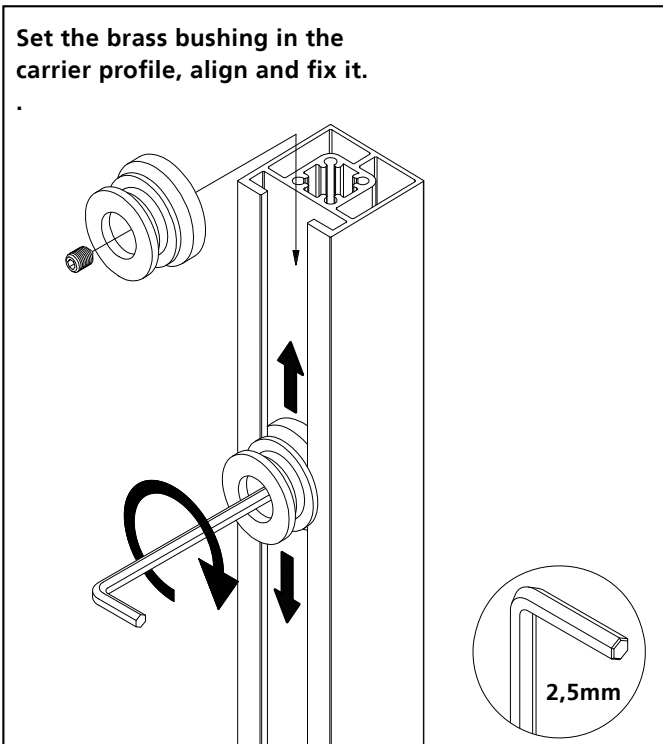
Item list			
Object	Quantity	Description	Item number
1	6	L-carrier	80.40.020
2	1	Shelf 600 x 300 x 25 compl.	
3	6	Wall- and ceiling connection	80.20.040
4	6	Carrier profile	80.01.020
5	1	Hanging rod, round	80.23.020
6	1	UNO glass-shelf (600) compl.	
7	2	Universal carrier	80.40.020
8	2	Attachment for glass shelf carrier	80.40.025
9	4	Profile connection	80.20.060
10	1	drawer corpus compl.	
11	2	Adjustment foot	80.20.015
12	2	Rod carrier	80.40.035



# ASSEMBLY INSTRUCTION

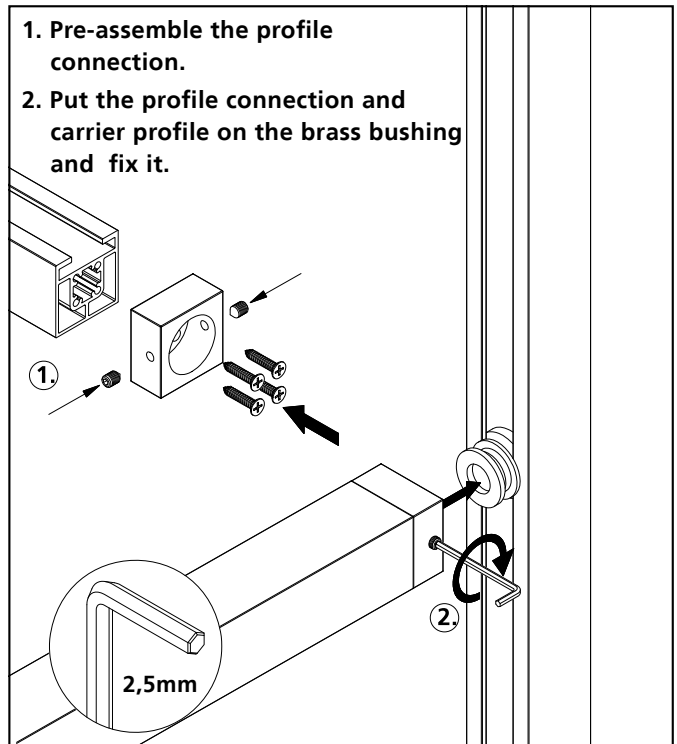
## CONNECTIONS

Set the brass bushing in the carrier profile, align and fix it.



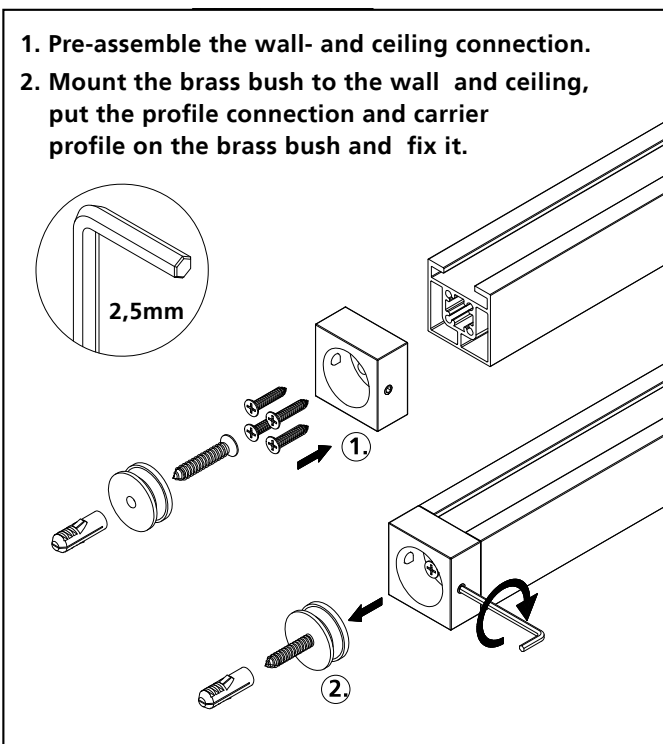
1\_ Assembly of the profile connection for wall mounting

1. Pre-assemble the profile connection.  
2. Put the profile connection and carrier profile on the brass bushing and fix it.

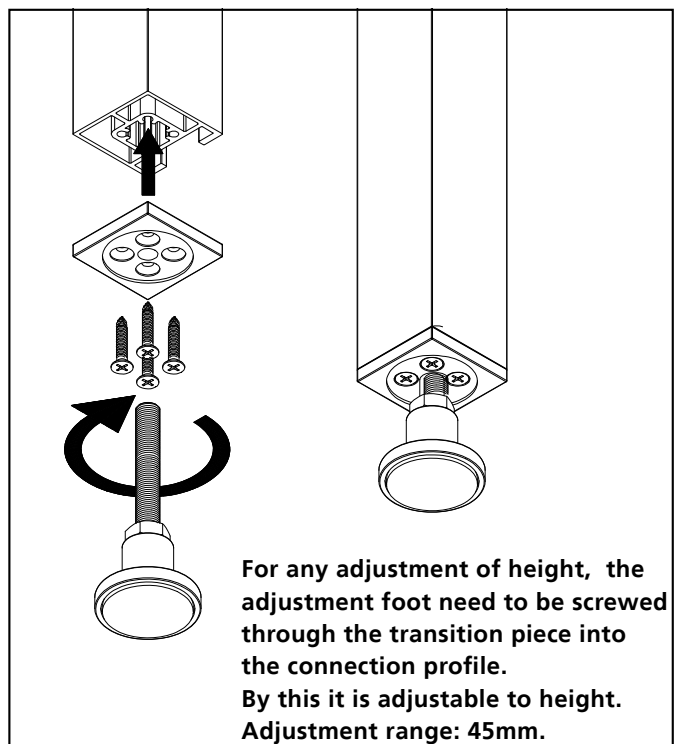


2\_ Assembly of the profile connection

1. Pre-assemble the wall- and ceiling connection.  
2. Mount the brass bush to the wall and ceiling, put the profile connection and carrier profile on the brass bush and fix it.



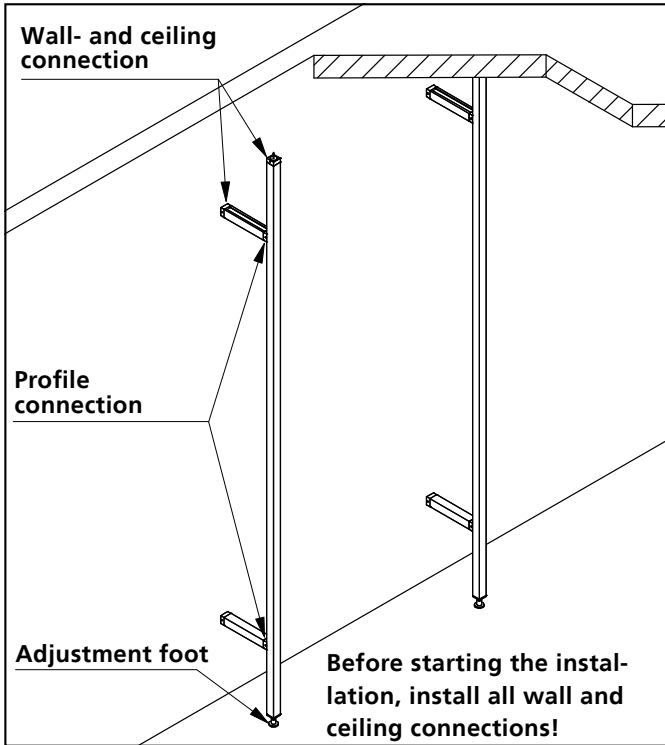
3\_ Assembly of the wall- and ceiling connection



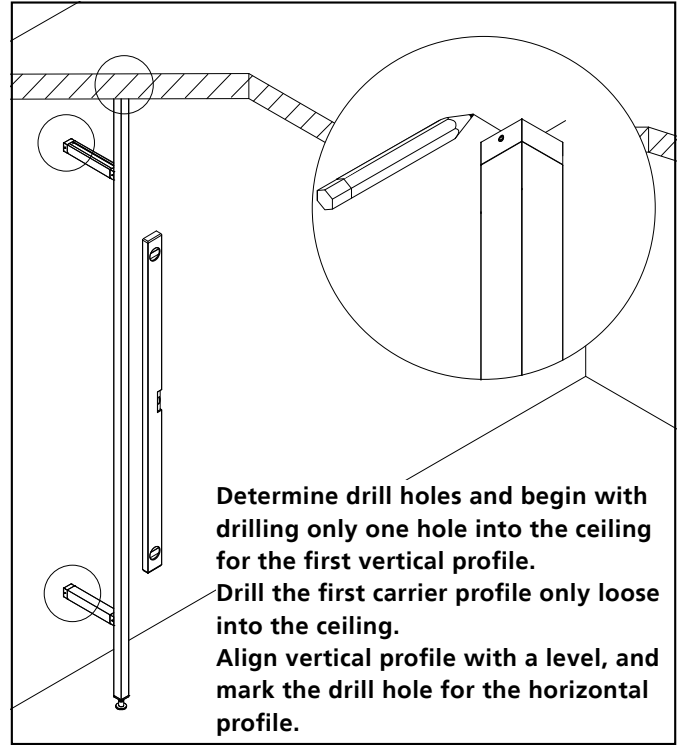
4\_ Insert adjustment foot

For any adjustment of height, the adjustment foot need to be screwed through the transition piece into the connection profile.  
By this it is adjustable to height.  
Adjustment range: 45mm.

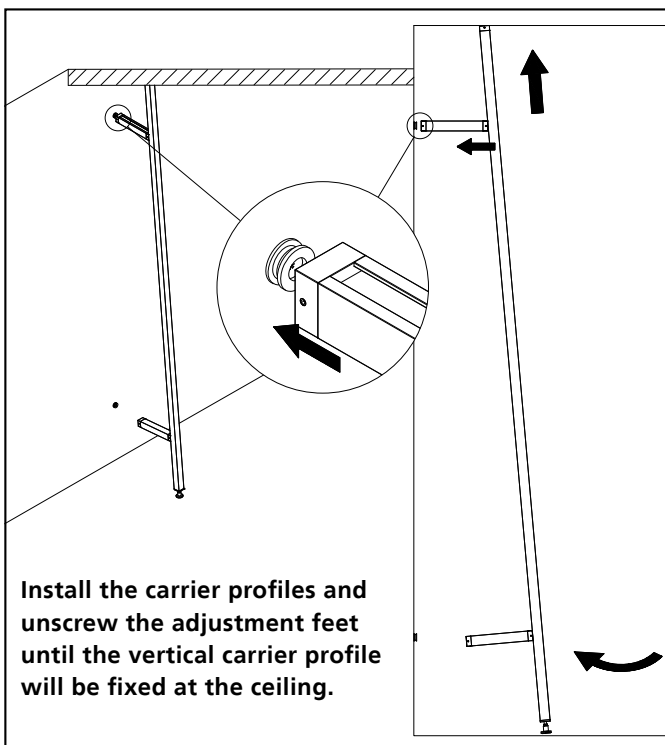
# INSTALLATION INSTRUCTIONS



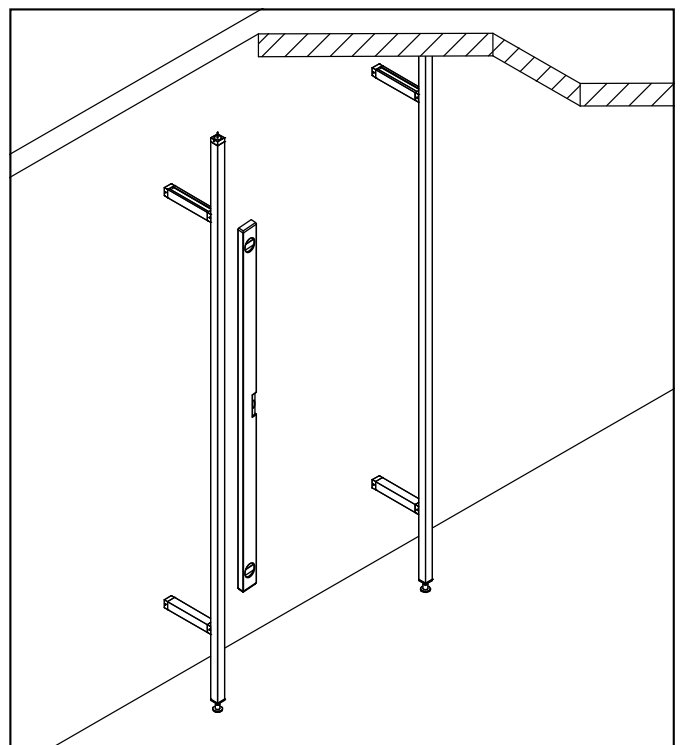
1\_ Installation examples



2\_ Mark the holes



3\_ Insert and fix profile

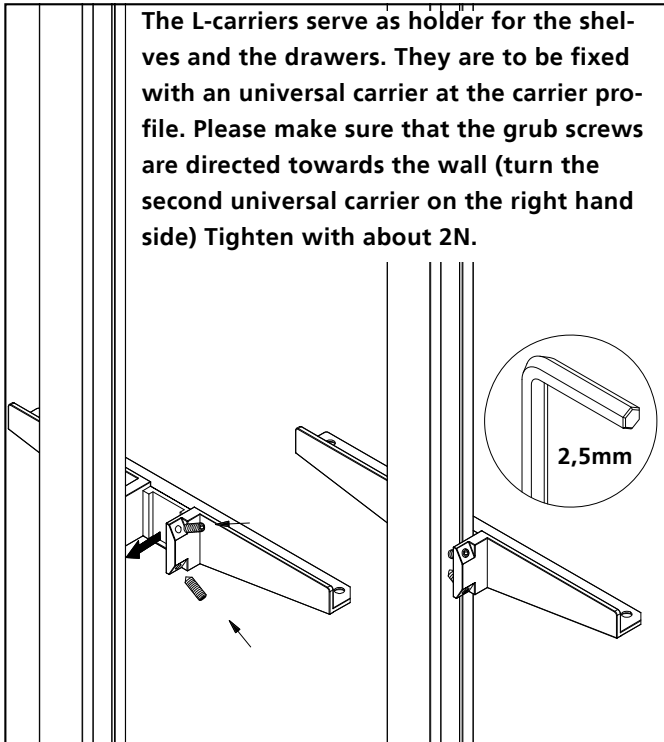


4\_ Installation examples

# INSTALLATION INSTRUCTIONS

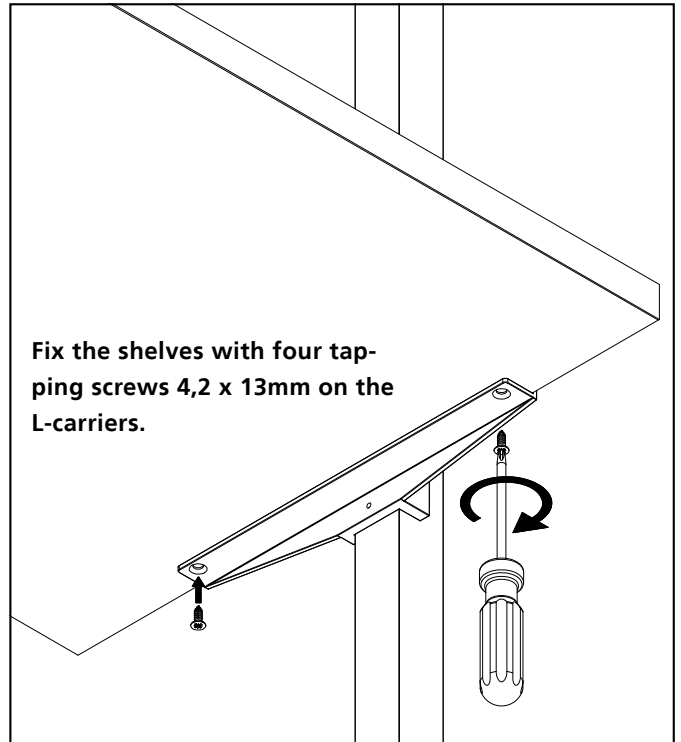
## SHELVES

The L-carriers serve as holder for the shelves and the drawers. They are to be fixed with an universal carrier at the carrier profile. Please make sure that the grub screws are directed towards the wall (turn the second universal carrier on the right hand side) Tighten with about 2N.



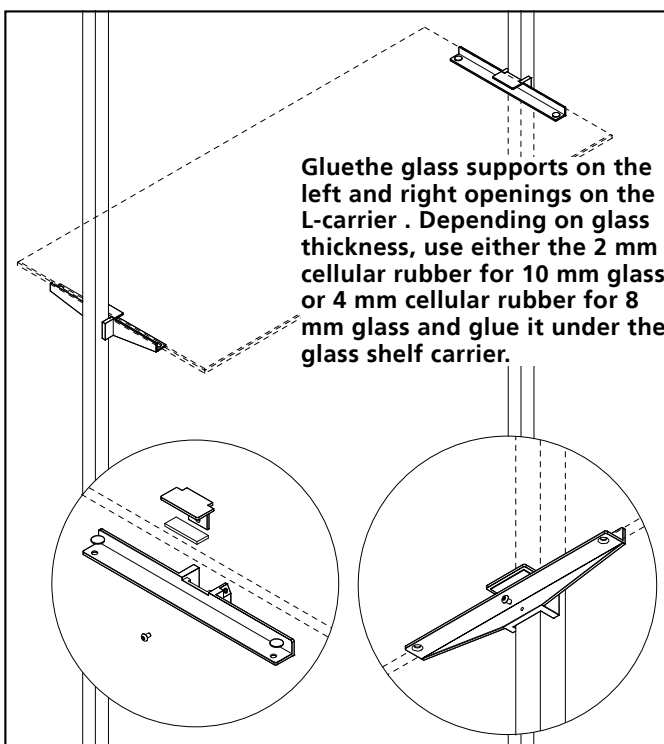
5\_ Insert and fix the L-carrier

Fix the shelves with four tapping screws 4,2 x 13mm on the L-carriers.

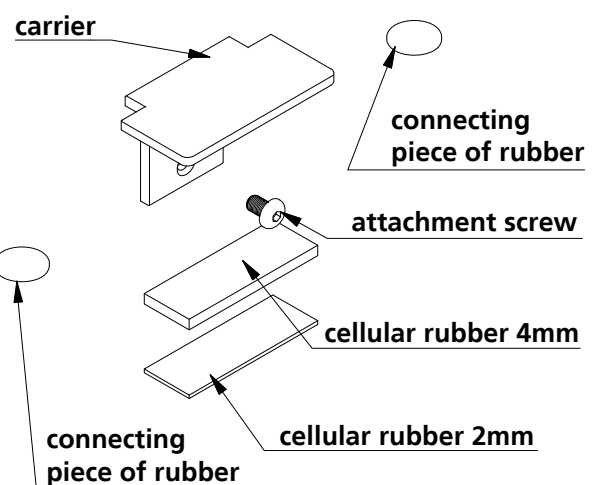


6\_ Fix the shelves

Glue the glass supports on the left and right openings on the L-carrier. Depending on glass thickness, use either the 2 mm cellular rubber for 10 mm glass or 4 mm cellular rubber for 8 mm glass and glue it under the glass shelf carrier.



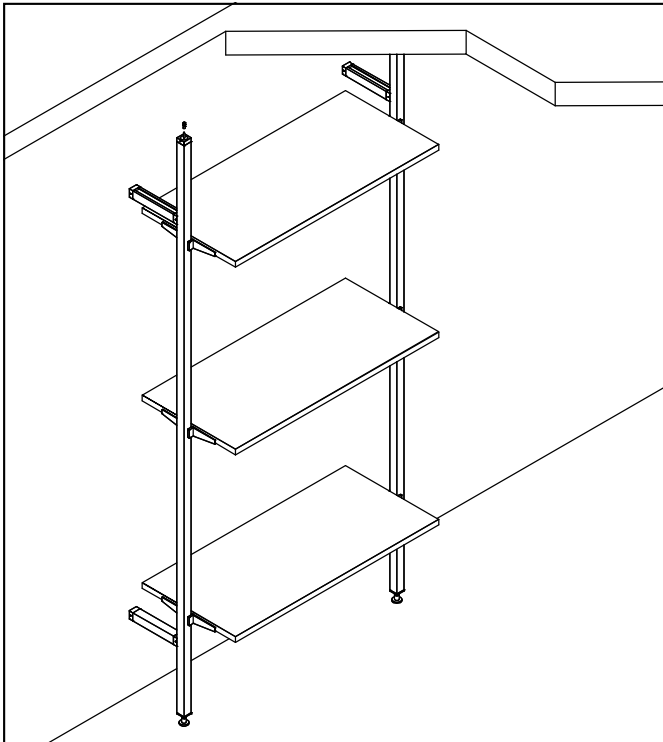
7\_ Insert the attachment for glass shelf carrier



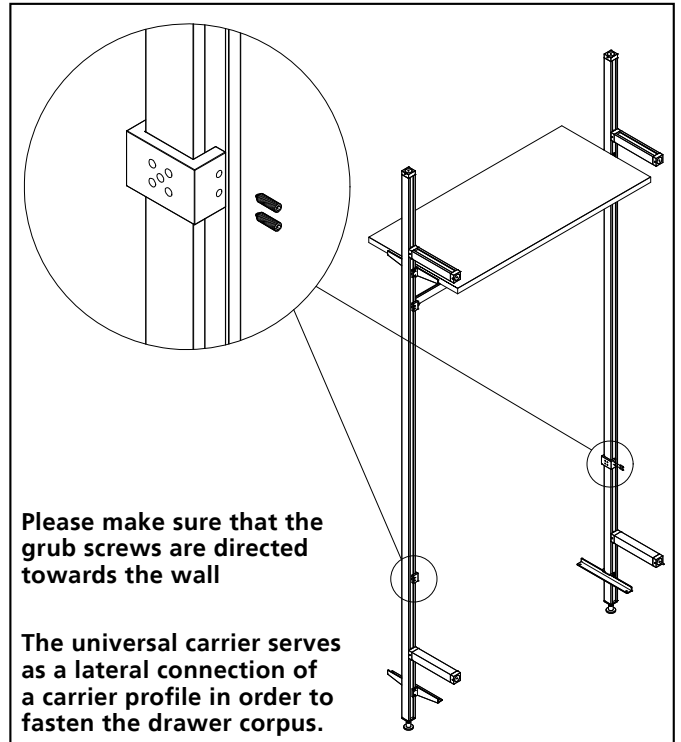
8\_ Attachment for glass shelf carrier

# INSTALLATION INSTRUCTIONS

## DRAWER CORPUS



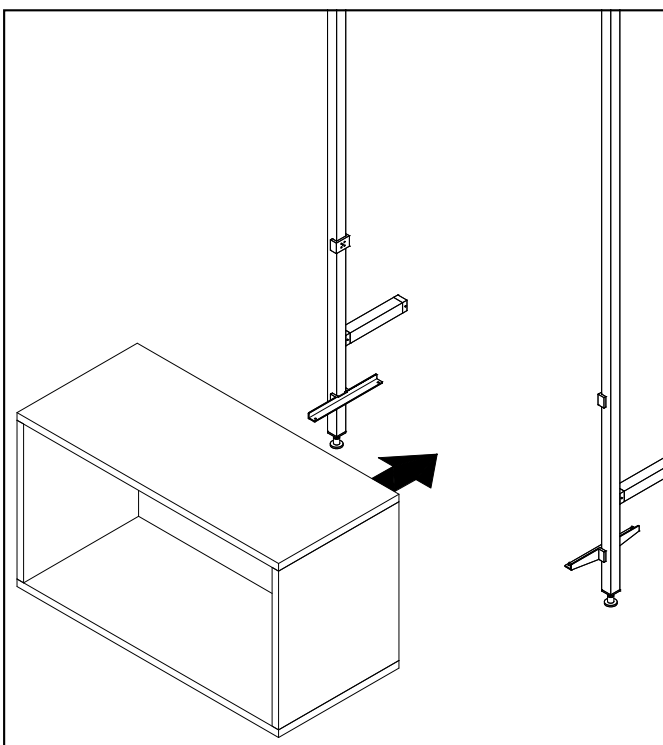
9\_ Installation examples



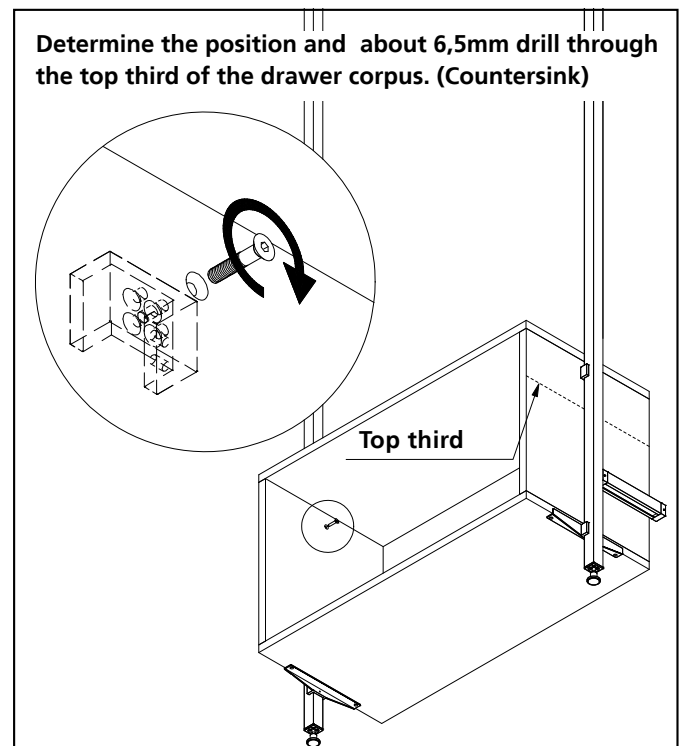
Please make sure that the grub screws are directed towards the wall

The universal carrier serves as a lateral connection of a carrier profile in order to fasten the drawer corpus.

1\_ mount the universal carrier



2\_ Insert the drawer corpus

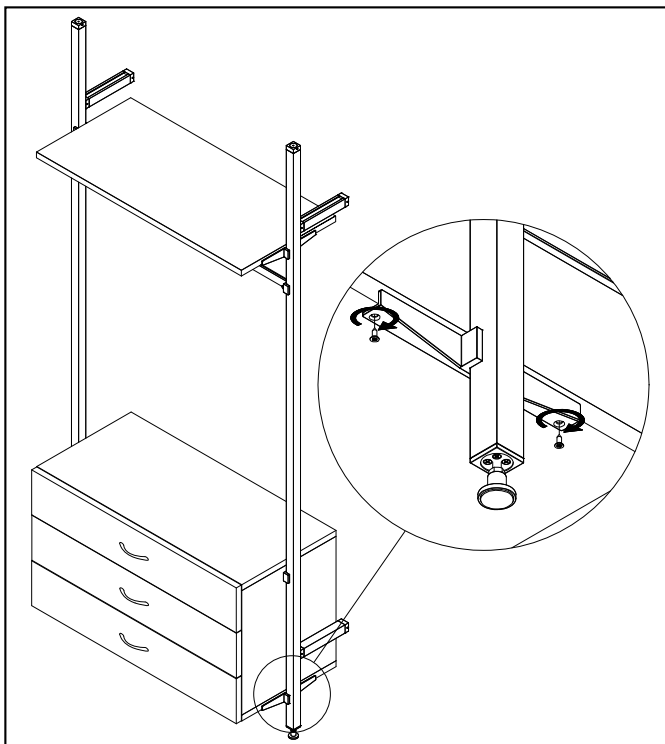


Determine the position and about 6,5mm drill through the top third of the drawer corpus. (Countersink)

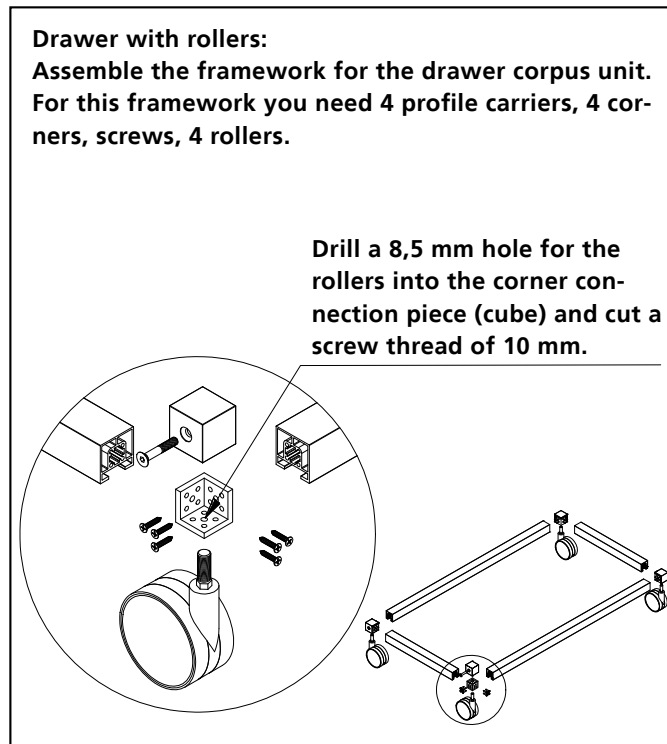
3\_ Fixing with a countersink head screw M6 x 25mm

# INSTALLATION INSTRUCTIONS

## DRAWER CORPUS

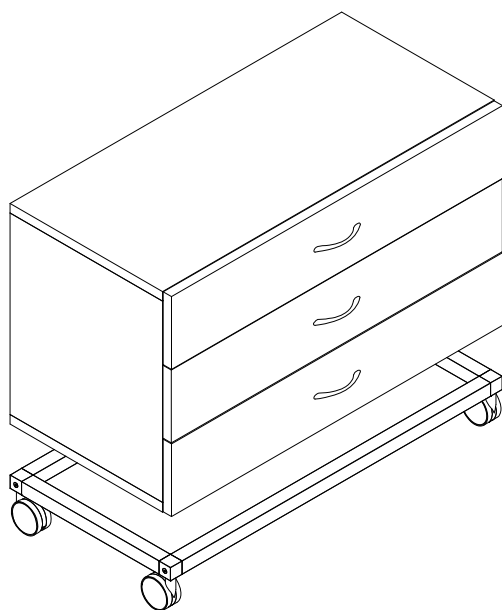


4\_ Insert and fix the drawer

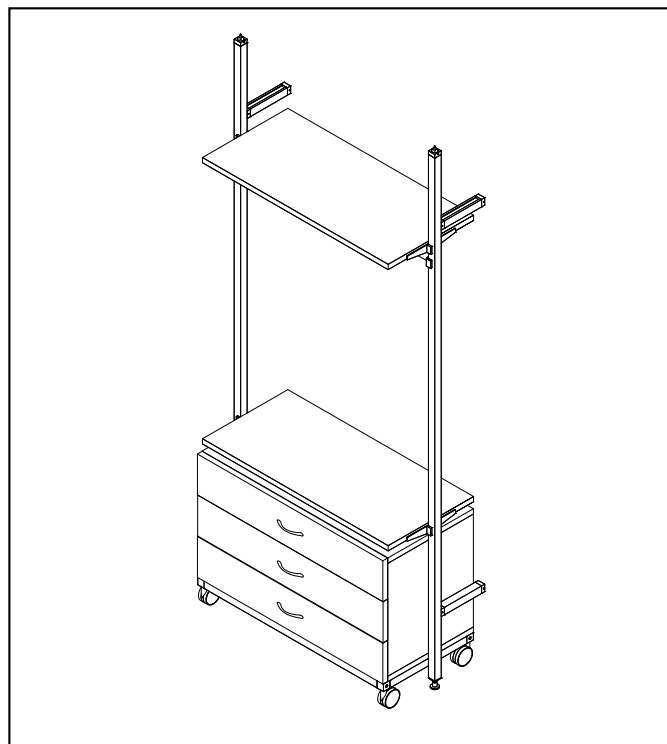


5\_ Corner connection

Fix the profiles with 8 screws each onto the corpus unit.



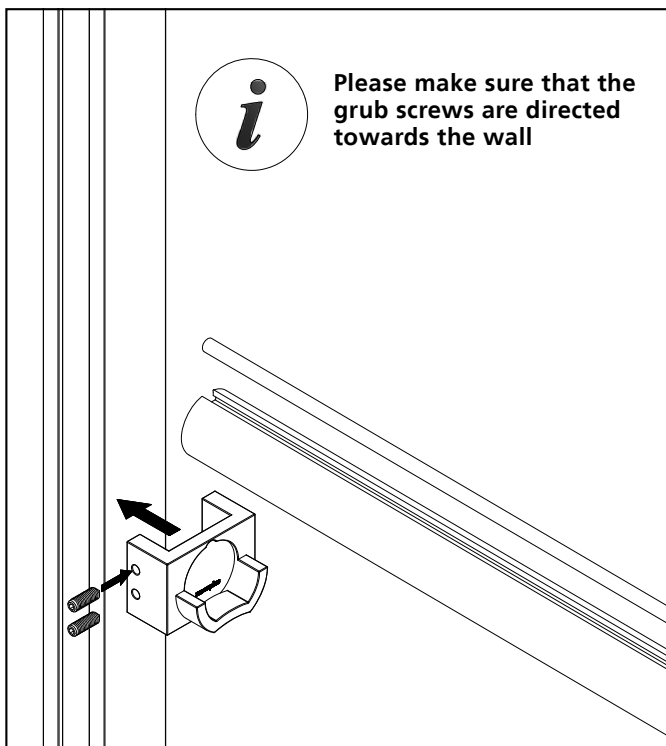
6\_ Drawer with rollers



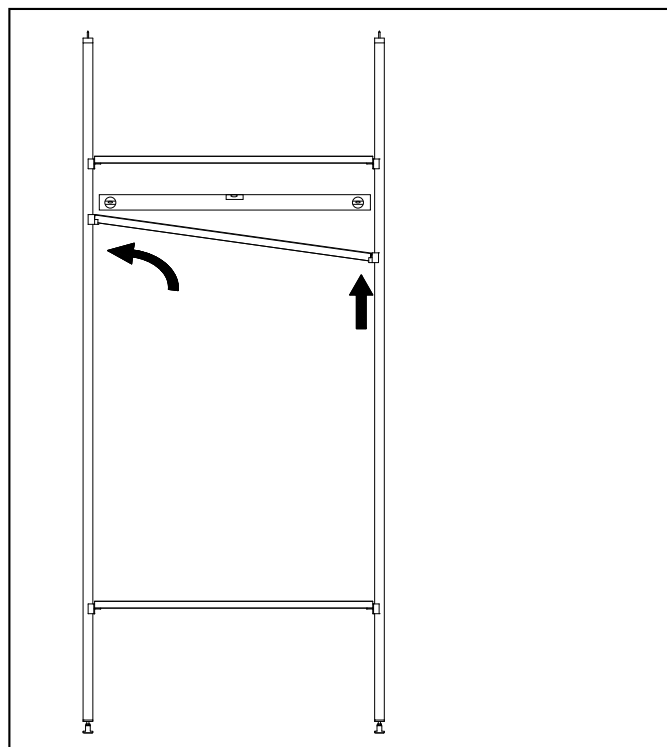
1\_ Installation examples

# INSTALLATION INSTRUCTIONS

## HANGING ROD



2\_ Insert the Rod carrier

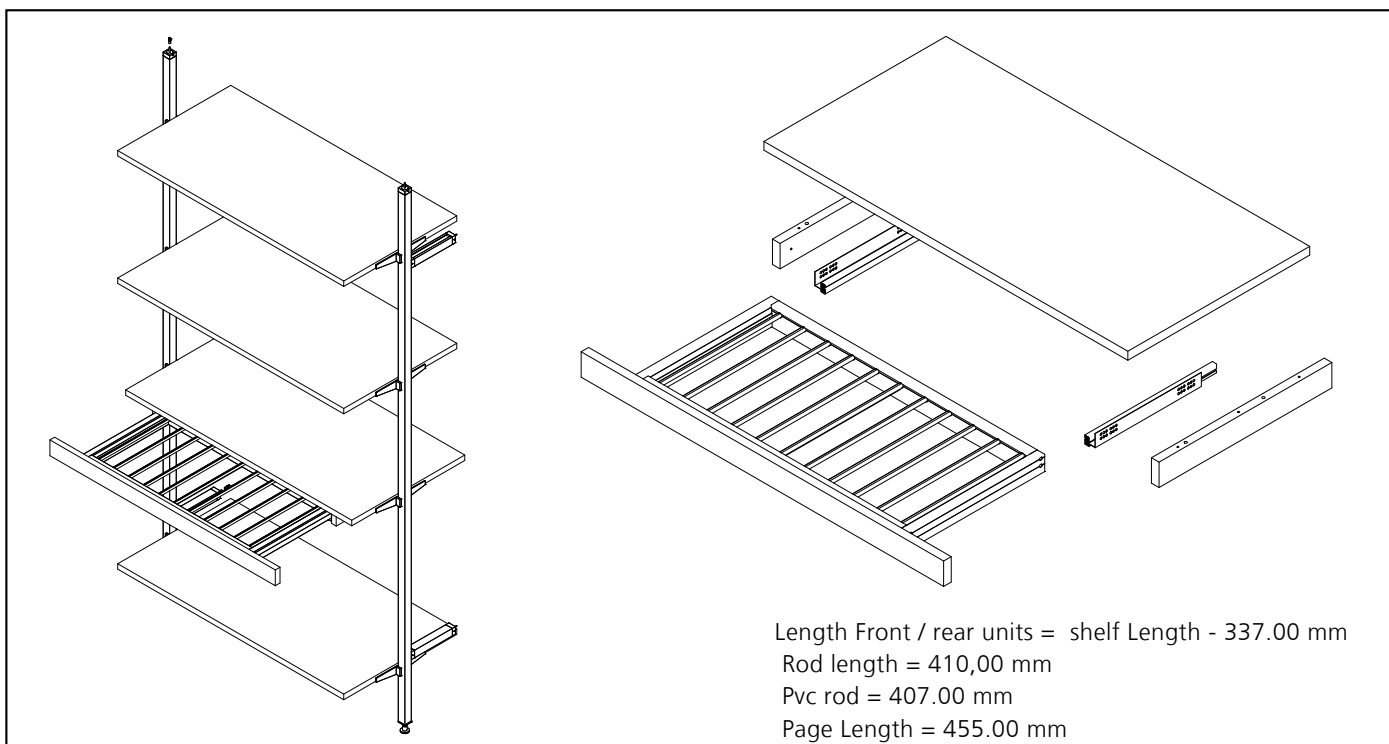


3\_ Insert the Hanging rod and adjust it

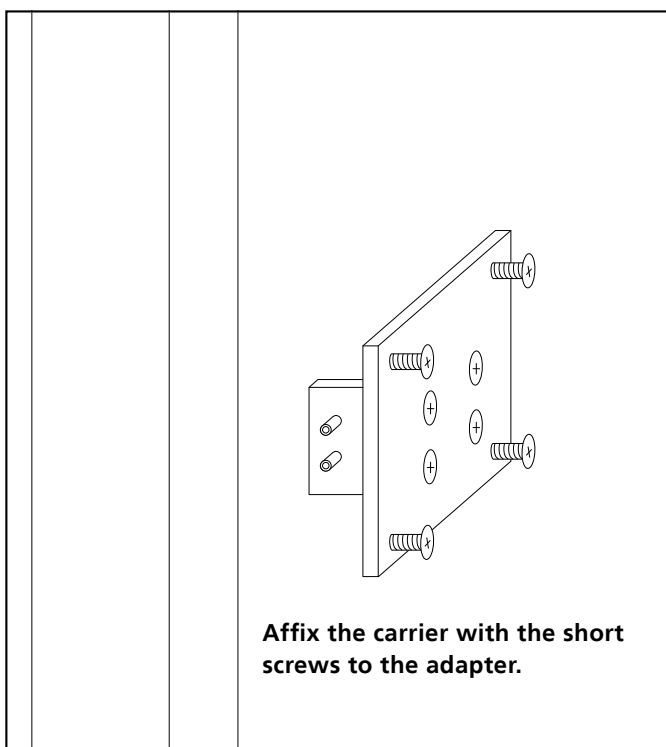


All accessories are to be mounted according to the above described procedure, i.e. the carriers for the hanging rod are to be mounted in the same way like the universal carriers. Clothes lifts need 2 further near carrier profiles for additional stabilisation.

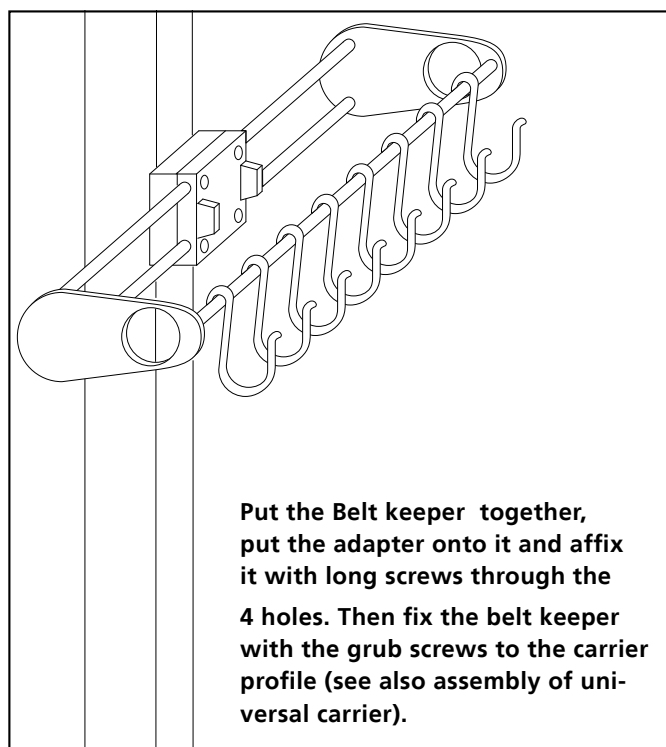
# ACCESSORIES



**1\_ Pull-out pants hanger wiht front panel**

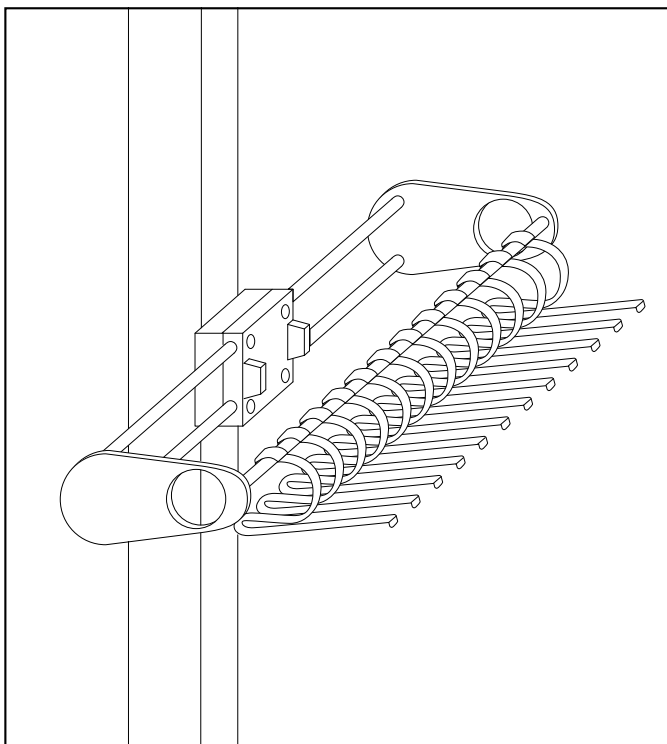


**2\_ Adapter for belt-, tie- and universal keeper**

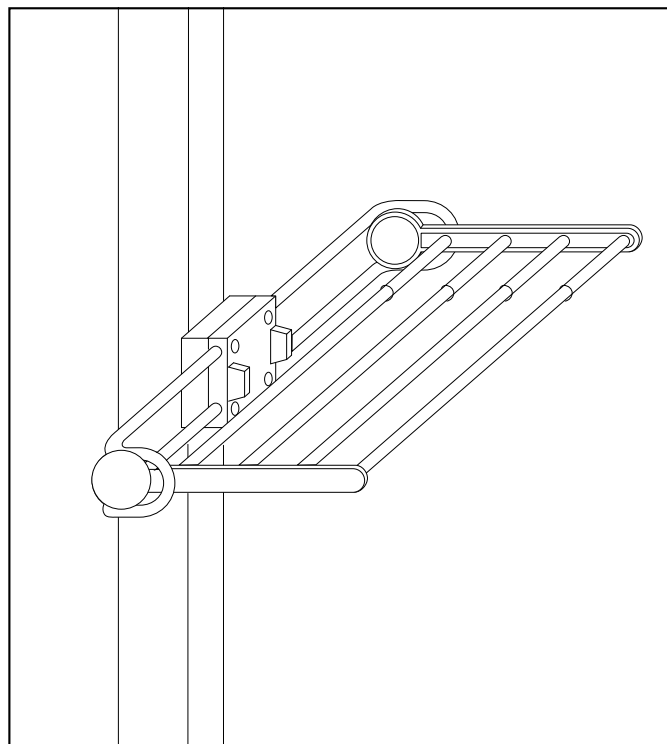


**3\_ Belt keeper**

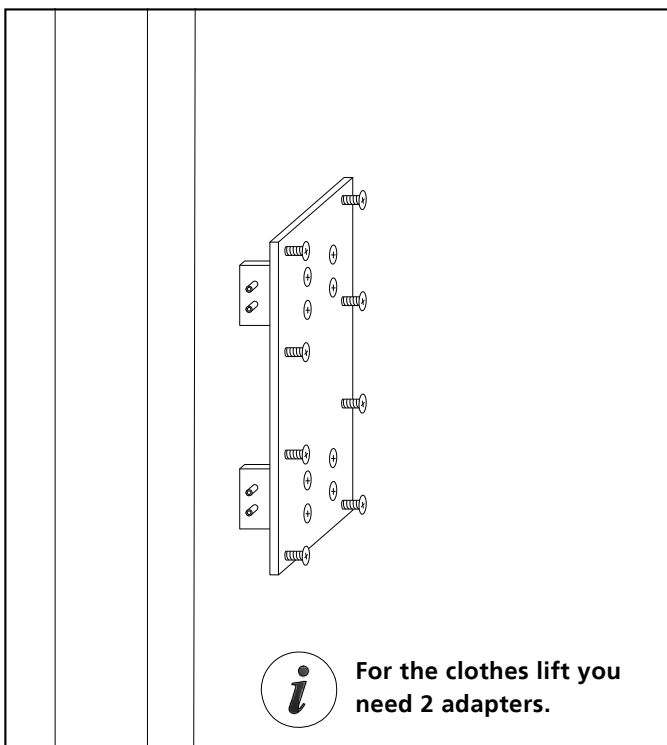
# ACCESSORIES



4\_ Tie keeper

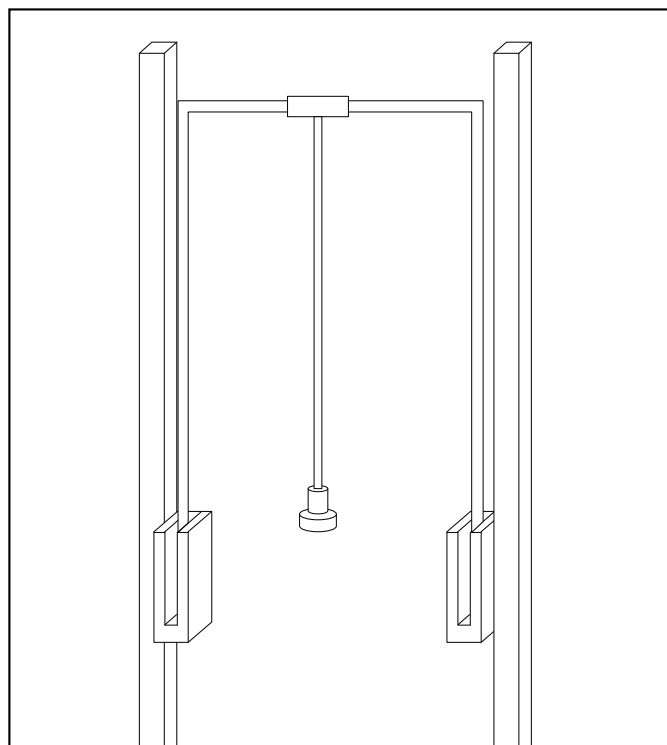


5\_ Universal keeper



For the clothes lift you need 2 adapters.

6\_ Adapter for clothes lift



7\_ Clothes lift